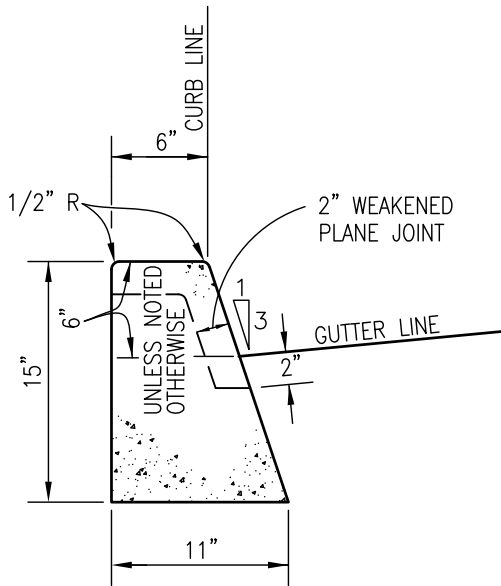


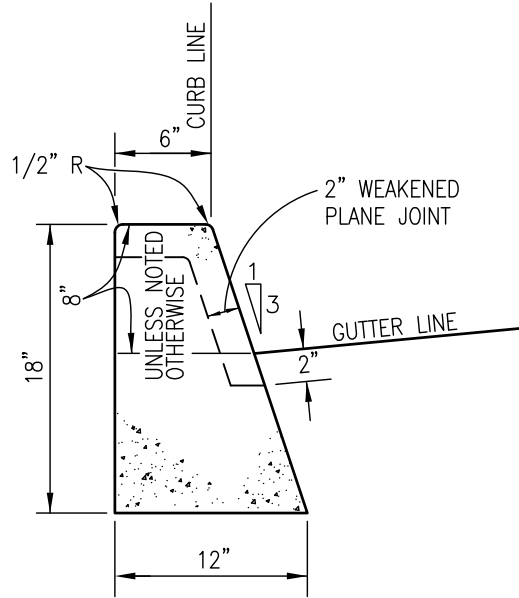
GENERAL SURFACE IMPROVEMENTS

G

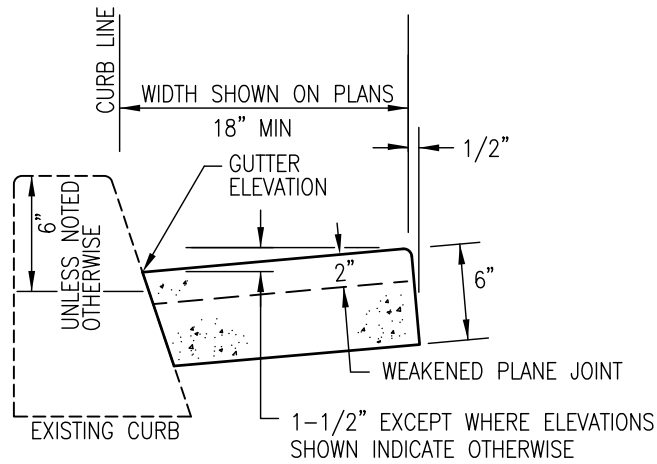
GENERAL SURFACE IMPROVEMENTS



6" CURB
AREA=0.89 Sq. Ft.



8" CURB
AREA=1.12 Sq. Ft.



GUTTER

NOTES:

1. CONCRETE SHALL BE 520-C-2500.
2. SEE STANDARD DRAWINGS G-9 AND G-10 FOR JOINT DETAILS.
3. SLOPE TOP OF CURB 2% MAX TOWARD GUTTER.

LEGEND ON PLANS

Revision	By	Approved	Date
ORIGINAL		KERCHEVAL	12/75
UPDATED	CV	CV	12/15
UPDATED	KE	T. Stanton	10/18
Reviewed	RP	S. Engeda	03/22

SAN DIEGO REGIONAL STANDARD DRAWING

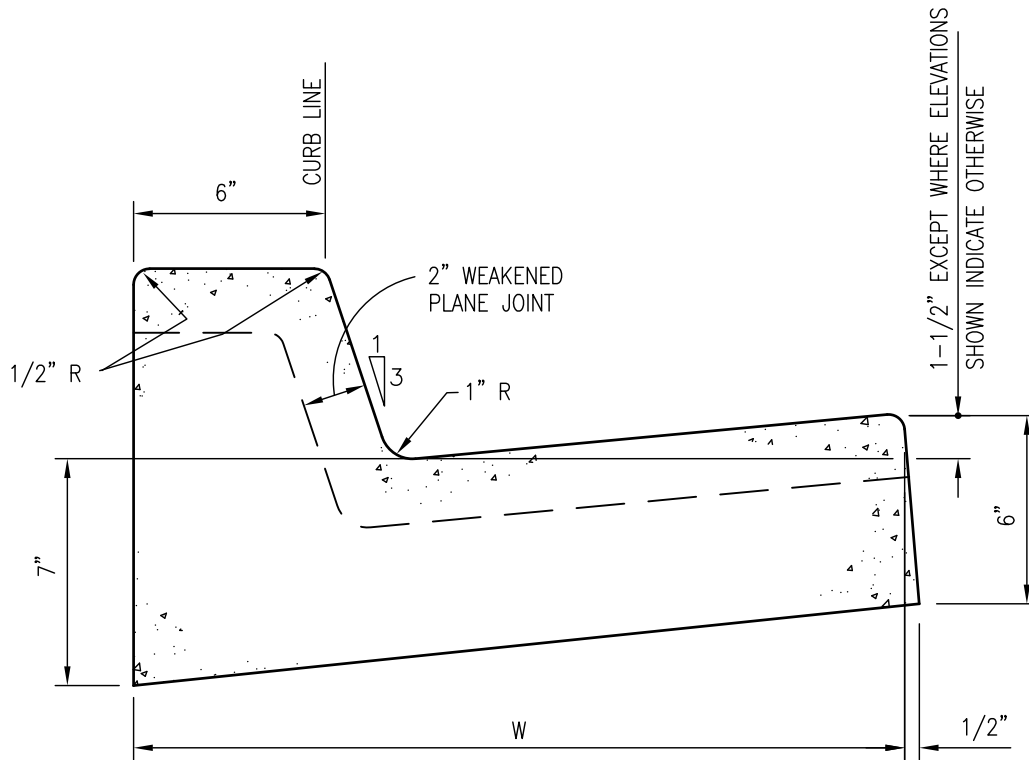
CURBS AND GUTTER - SEPARATE

RECOMMENDED BY THE SAN DIEGO REGIONAL STANDARDS COMMITTEE

Samsin Engeda 03/24/2022

Chairperson R.C.E. 52241 Date

DRAWING NUMBER **G-01**



TYPE	W	*AREA
G	24"	1.34 SQ. FT.
H	30"	1.60 SQ. FT.

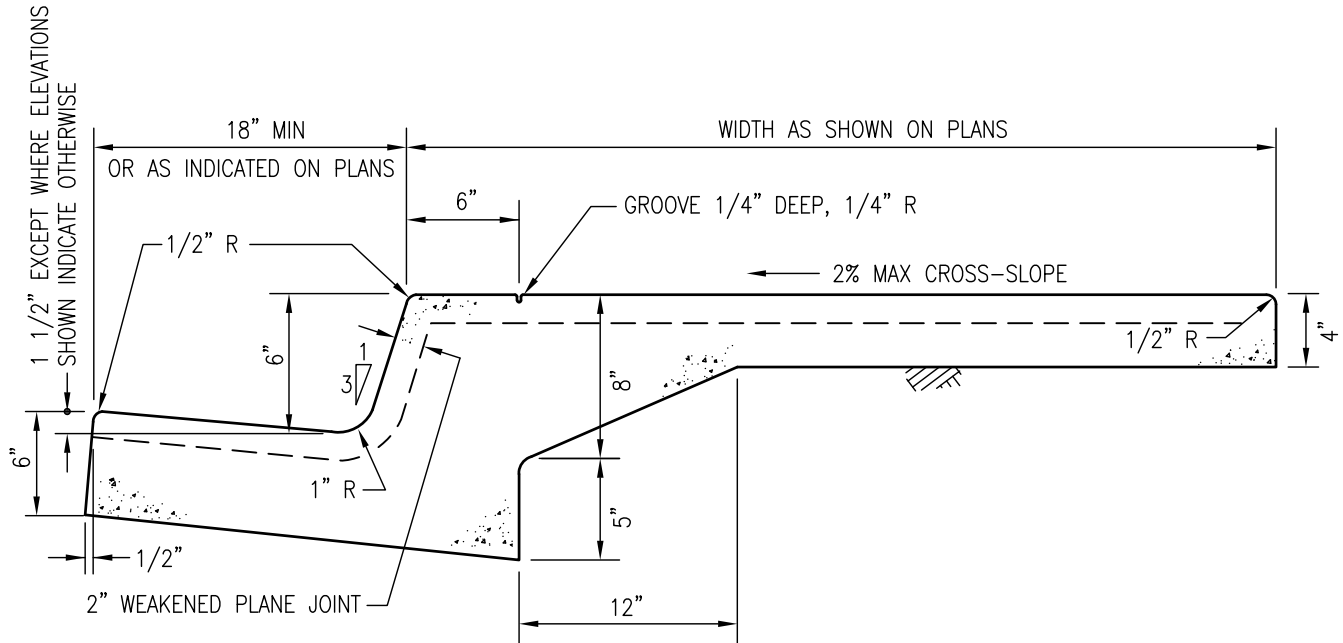
* 6" CURB HEIGHT

NOTES:

1. CONCRETE SHALL BE 520-C-2500.
2. SEE STANDARD DRAWINGS G-9 AND G-10 FOR JOINT DETAILS.
3. SLOPE TOP OF CURB 2% MAX TOWARD GUTTER.

LEGEND ON PLANS

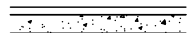
Revision	By	Approved	Date	SAN DIEGO REGIONAL STANDARD DRAWING	RECOMMENDED BY THE SAN DIEGO REGIONAL STANDARDS COMMITTEE
ORIGINAL		KERCHEVAL	12/75		CURB AND GUTTER - COMBINED
UPDATED	CV	CV	12/15	<i>Samsin Engeda</i> 03/24/2022	
Reviewed	KE	T. Stanton	10/18	Chairperson R.C.E. 52241 Date	
Reviewed	RP	S. Engeda	03/22	DRAWING NUMBER	
				G-02	



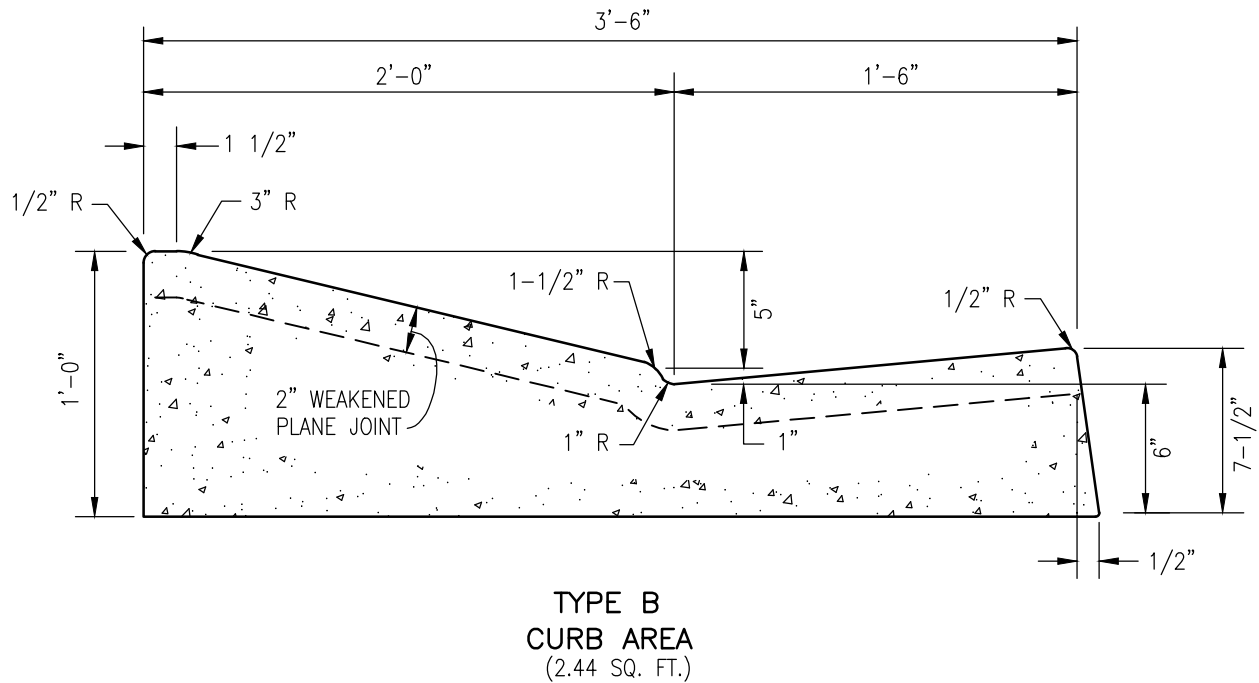
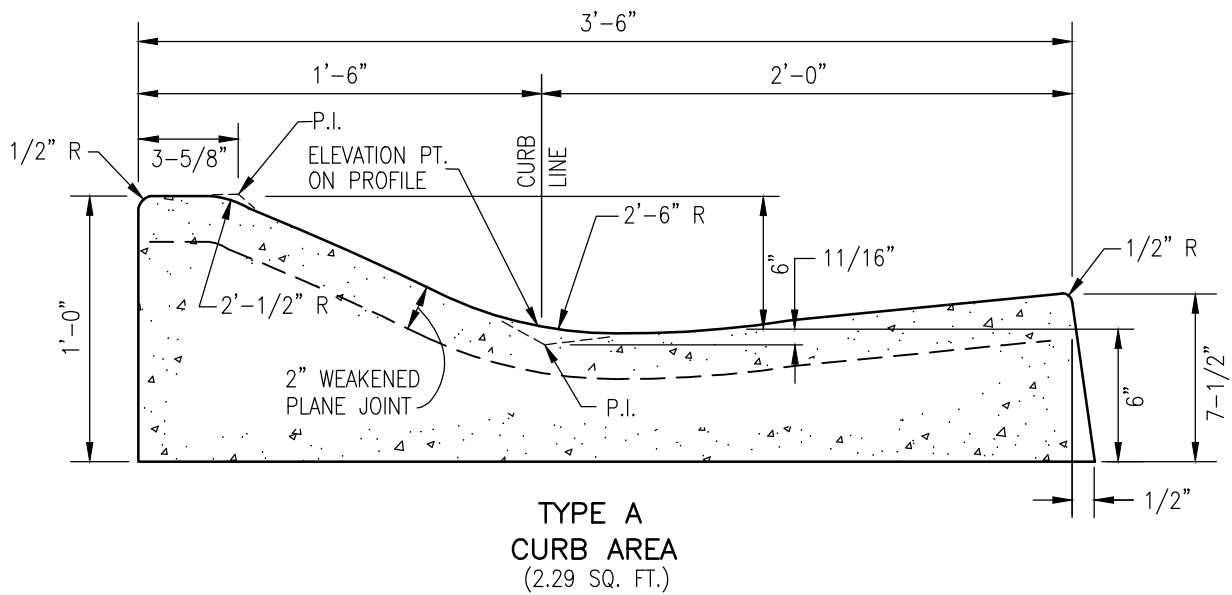
NOTES:

1. CONCRETE SHALL BE 520-C-2500.
2. SEE STANDARD DRAWINGS G-9 AND G-10 FOR JOINT DETAILS.
3. MONOLITHIC CURB, GUTTER AND SIDEWALK IS TO BE USED WITH AGENCY APPROVAL ONLY.

LEGEND ON PLANS



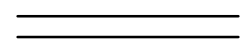
Revision	By	Approved	Date	SAN DIEGO REGIONAL STANDARD DRAWING	RECOMMENDED BY THE SAN DIEGO REGIONAL STANDARDS COMMITTEE	
ORIGINAL		KERCHEVAL	12/75		MONOLITHIC CURB, GUTTER AND SIDEWALK	<i>Samsin Engeda</i> 03/24/2022
UPDATED	CV	CV	12/15	Chairperson R.C.E. 52241 Date		
Reviewed	KE	S. Stanton	10/18	DRAWING NUMBER		G-03
Reviewed	RP	S. Engeda	03/22			



NOTES:

1. TRANSITION TO TYPE G OR H CURB AT ALL CURB RETURNS, EXCEPT WHERE CURB RAMPS ARE PROVIDED, AND AT ALL CUL-DE-SACS WITH DRAINAGE STRUCTURES. SEE STANDARD DRAWING G-4B FOR DETAILS.
2. CONCRETE SHALL BE 520-C-2500.
3. SEE STANDARD DRAWINGS G-9 AND G-10 FOR JOINT DETAILS.

LEGEND ON PLANS



Revision	By	Approved	Date
ORIGINAL		KERCHEVAL	12/75
UPDATED	CV	S. Stanton	12/15
Reviewed	KE	S. Stanton	10/18
Reviewed	RP	S. Engeda	03/22

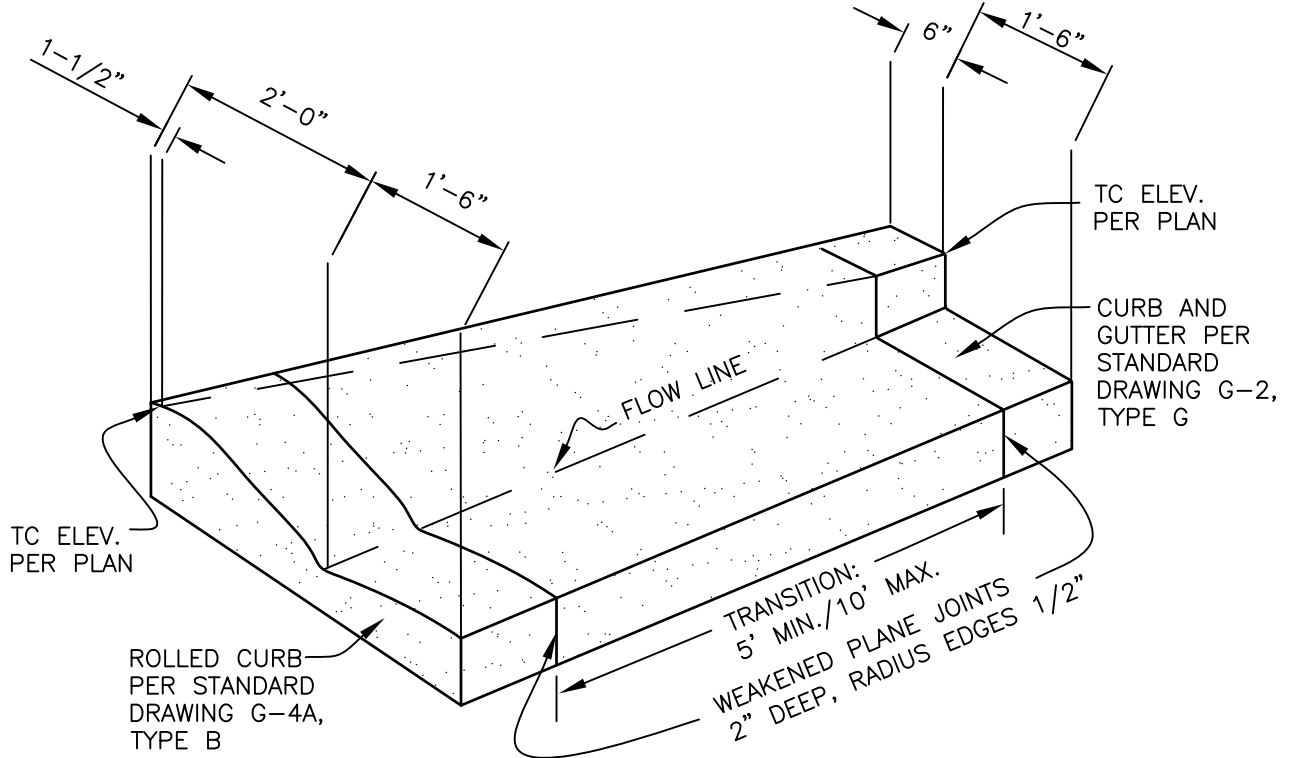
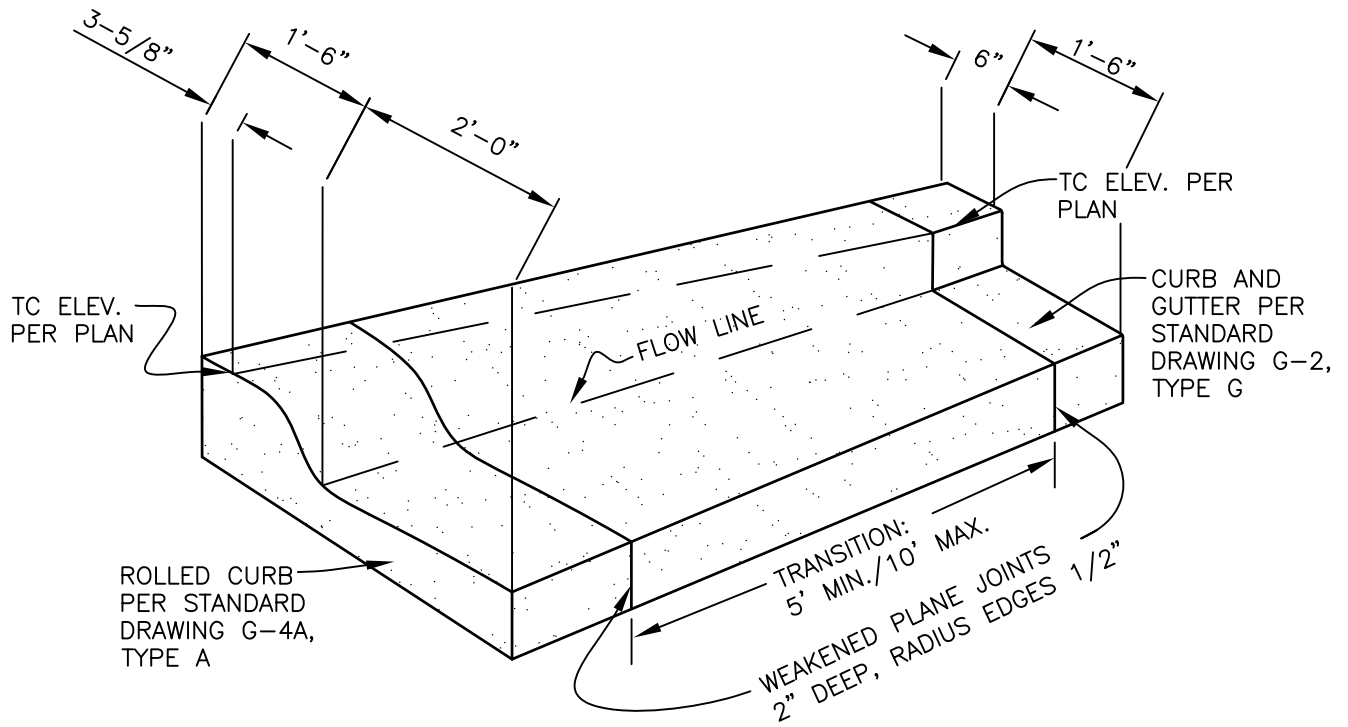
SAN DIEGO REGIONAL STANDARD DRAWING

CURB AND GUTTER - ROLLED

RECOMMENDED BY THE SAN DIEGO REGIONAL STANDARDS COMMITTEE

Saman Engeda 03/24/2022
Chairperson R.C.E. 52241 Date

DRAWING NUMBER G-4A



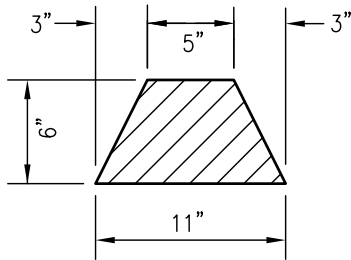
NOTES:

1. REFER TO RSD G-2, TYPE G AND G-4A FOR SPECIFIC DIMENSIONS RELATED TO EACH TYPE OF CURB.
2. TRANSITIONS SHOULD OCCUR ALONG THE BACK OF CURB, HOLDING EDGE OF PAVEMENT PARALLEL AND CONCENTRIC WITH STREET CENTERLINE. ALTERNATE ALIGNMENTS MAY BE REQUIRED AND ARE AT AGENCY'S DISCRETION.

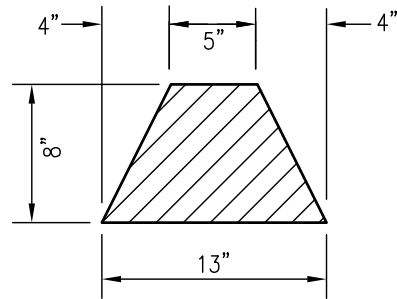
LEGEND ON PLANS



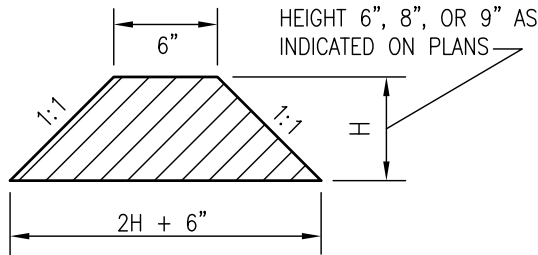
Revision	By	Approved	Date	SAN DIEGO REGIONAL STANDARD DRAWING	RECOMMENDED BY THE SAN DIEGO REGIONAL STANDARDS COMMITTEE
NEW	DM	MR/CV	11/11		
UPDATED	CV	CV	12/15	CURB AND GUTTER TO ROLLED CURB TRANSITION	<i>Samsen Engeda</i> 03/24/2022
Reviewed	KE	S. Stanton	10/18		Chairperson R.C.E. 52241 Date
Reviewed	RP	S. Engeda	03/22		DRAWING NUMBER G-04B



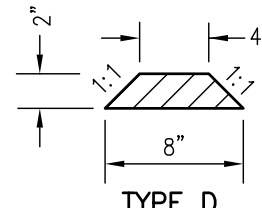
TYPE A



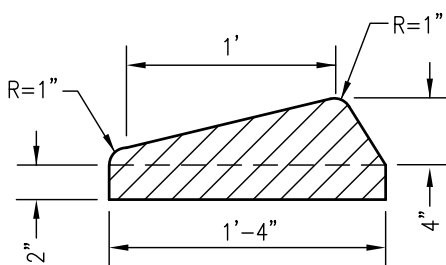
TYPE B



TYPE C

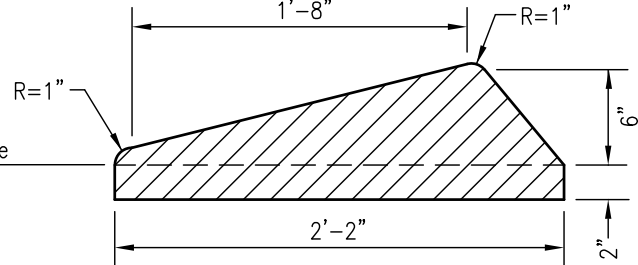


TYPE D

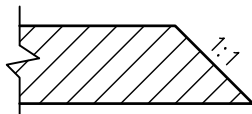


TYPE E
(MOUNTABLE DIKE)

Level Line



TYPE F
(MOUNTABLE DIKE)



SLOPE END OF DIKE 1:1
WHEN NOT JOINING
OTHER IMPROVEMENTS

ALL TYPES - SIDE VIEW

NOTES:

1. DIKES SHALL BE PLACED ON A 2" SECTION OF A.C. SURFACING, EXTENDING THROUGHOUT THE WIDTH OF THE DIKE.
2. PG-70-10 GRADE ASPHALT TO BE USED FOR ALL DIKES.
3. SHAPE AND COMPACT DIKES WITH AN EXTRUSION MACHINE OR OTHER EQUIPMENT CAPABLE OF SHAPING AND COMPACTING THE MATERIAL TO THE REQUIRED CROSS-SECTION.

APPROX. DIKE QUANTITIES

TYPE	REQD PER LIN. FT.
A	0.0250 TON
B	0.0375 TON
C-6"	0.0375 TON
C-8"	0.0583 TON
C-9"	0.0702 TON
D	0.0062 TON
E	0.0407 TON
F	0.0623 TON

LEGEND ON PLANS

Revision	By	Approved	Date
ORIGINAL		KERCHEVAL	12/75
REVIEWED	CV	CV	12/15
Reviewed	KE	S. Stanton	10/18
Reviewed	RP	S. Engeda	03/22

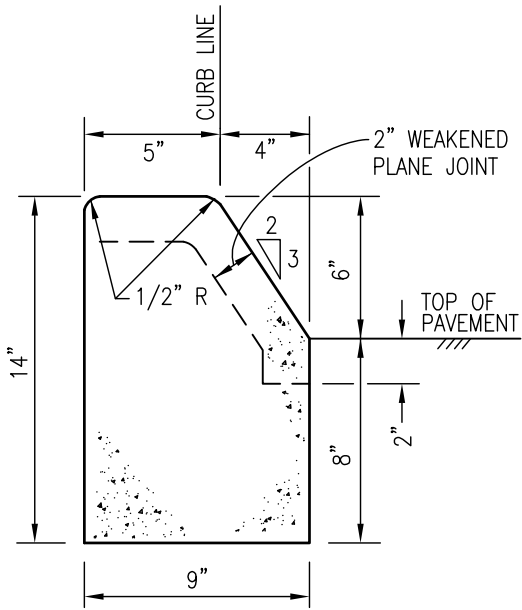
SAN DIEGO REGIONAL STANDARD DRAWING

DIKES - ASPHALT CONCRETE

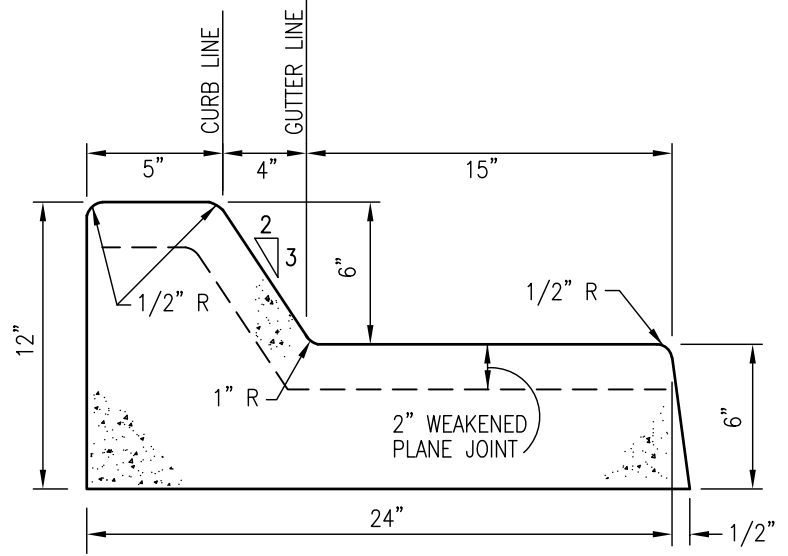
RECOMMENDED BY THE SAN DIEGO REGIONAL STANDARDS COMMITTEE

Samantha Engeda 03/24/2022
Chairperson R.C.E. 52241 Date

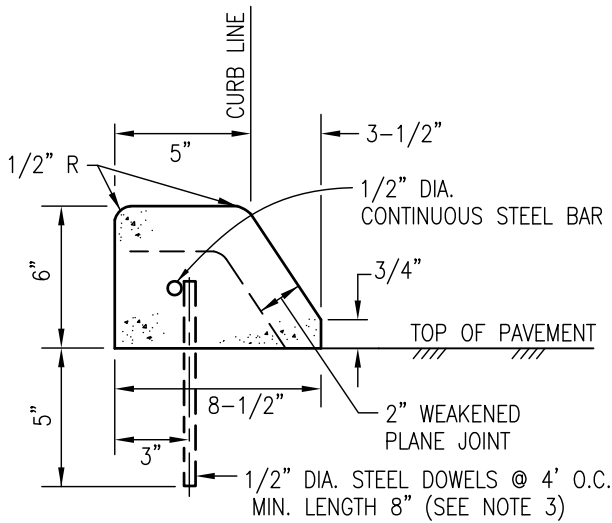
DRAWING NUMBER **G-05**



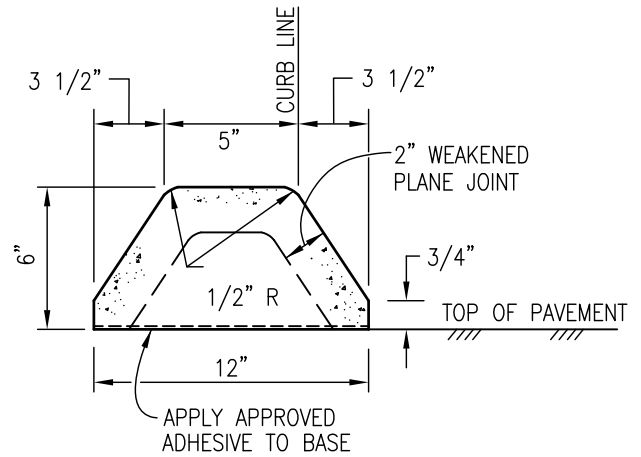
B-1
AREA=0.79 SQ. FT.



B-2
AREA=1.29 SQ. FT.



B-3
AREA=0.29 SQ. FT.



B-4
AREA=0.35 SQ. FT.

NOTES:

1. CONCRETE SHALL BE 520-C-2500.
2. SEE STANDARD DRAWINGS G-9 AND G-10 FOR JOINT DETAILS.
3. EXTRUDED TYPE B-3 CURB SHALL BE ANCHORED TO EXISTING PAVEMENT BY PLACING STEEL DOWELS AND REINFORCING STEEL AS SHOWN OR BY USING AN APPROVED ADHESIVE.
4. SLOPE TOP OF CURB 2% MAX TOWARD GUTTER/PAVEMENT.

LEGEND ON PLANS

(FOR TYPE B-2)

(FOR ALL OTHER TYPES)

Revision	By	Approved	Date
ORIGINAL		KERCHEVAL	12/75
REVIEWED	CV	CV	12/15
Reviewed	KE	S. Stanton	10/18
Reviewed	RP	S. Engeda	03/22

SAN DIEGO REGIONAL STANDARD DRAWING

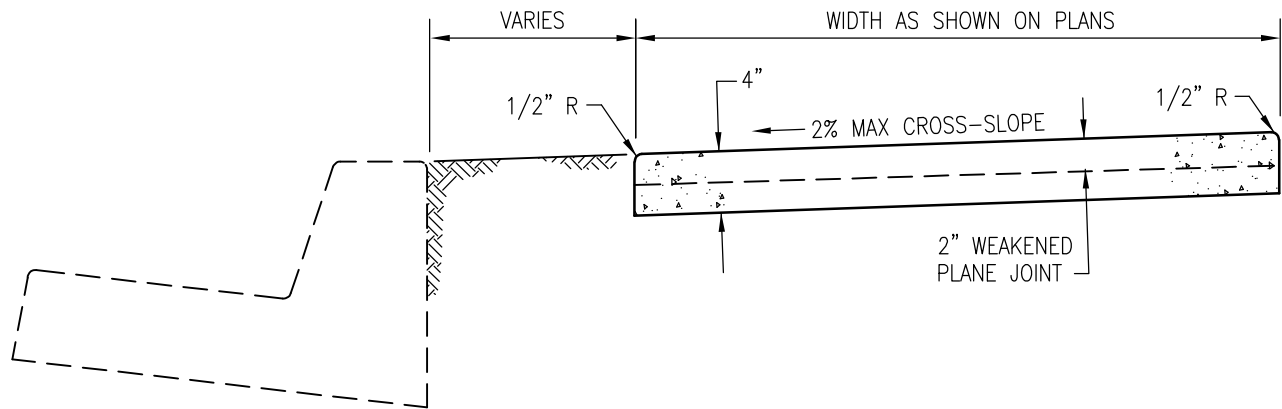
CURBS AND GUTTER - MEDIANS

RECOMMENDED BY THE SAN DIEGO REGIONAL STANDARDS COMMITTEE

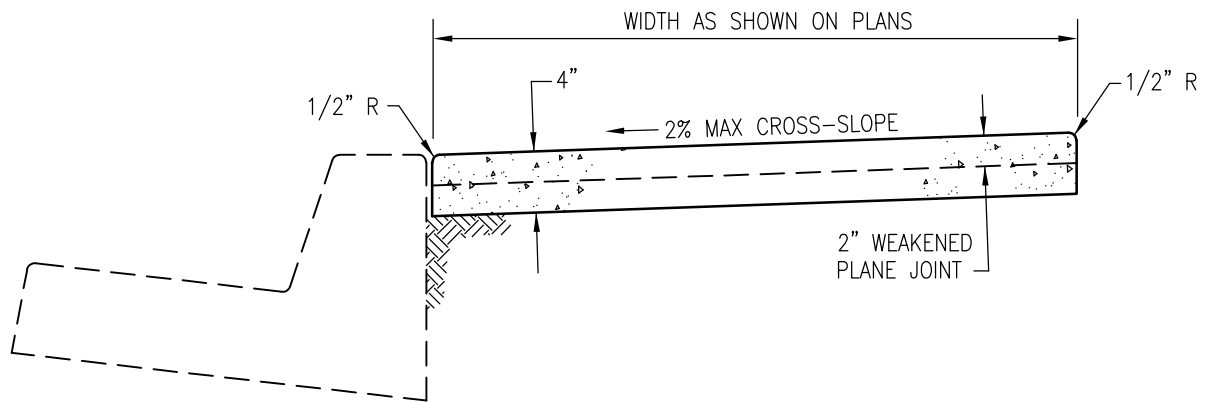
03/24/2022

Chairperson R.C.E. 52241 Date

DRAWING NUMBER **G-06**



NON-CONTIGUOUS

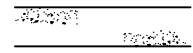


CONTIGUOUS

NOTES:

1. CONCRETE SHALL BE 520-C-2500.
2. SEE STANDARD DRAWINGS G-9 AND G-10 FOR JOINT DETAILS.

LEGEND ON PLANS



Revision	By	Approved	Date
ORIGINAL		KERCHEVAL	12/75
REVIEWED	CV	CV	12/15
Reviewed	KE	S. Stanton	10/18
Reviewed	RP	S. Engeda	03/22

SAN DIEGO REGIONAL STANDARD DRAWING

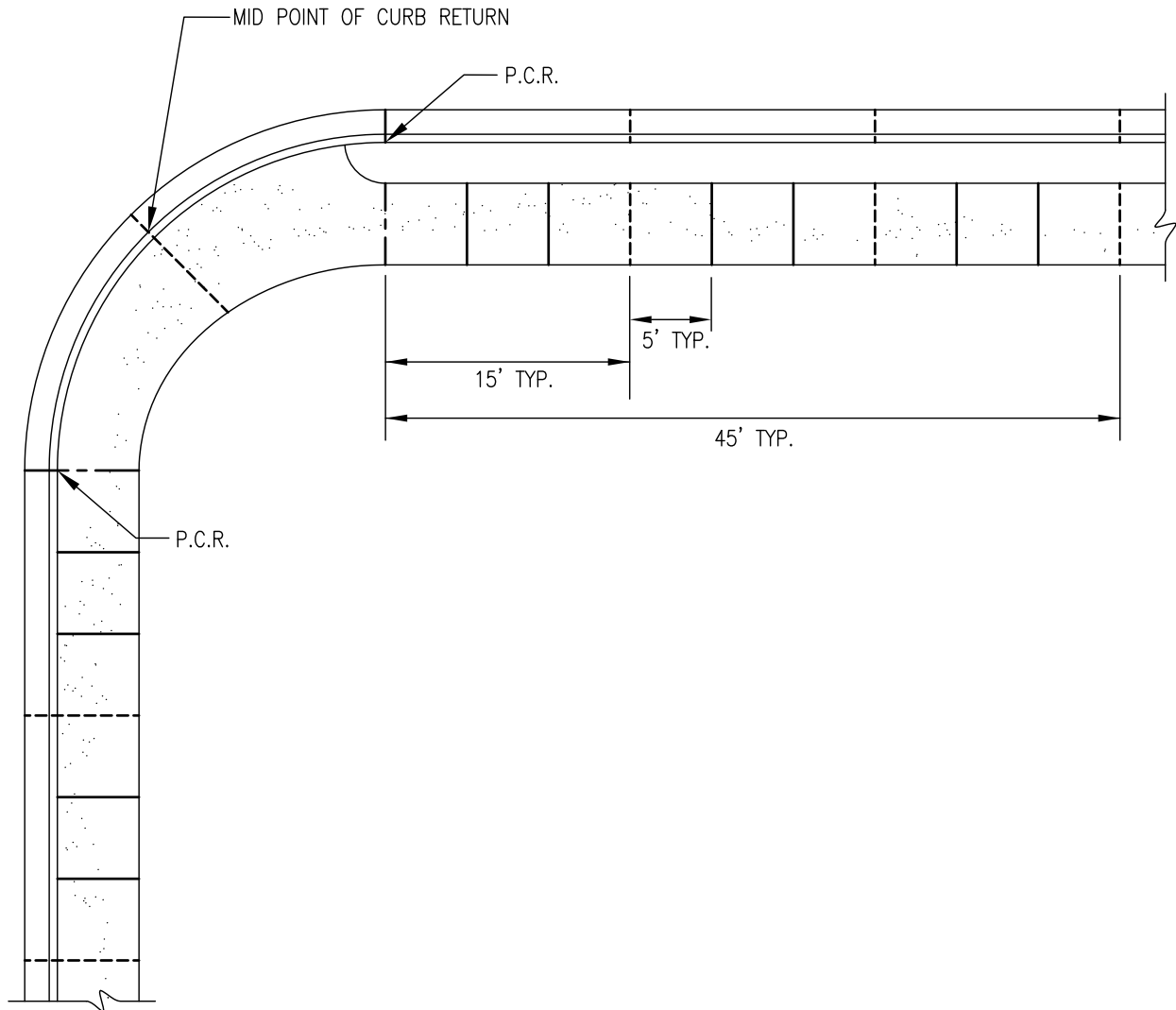
SIDEWALK - TYPICAL SECTIONS

RECOMMENDED BY THE SAN DIEGO REGIONAL STANDARDS COMMITTEE

Samantha Engeda 03/24/2022

Chairperson R.C.E. 52241 Date

DRAWING NUMBER **G-07**



NOTES:

1. EXPANSION JOINTS AT CURB RETURNS, ADJACENT TO STRUCTURES AND AT 45' INTERVALS. (SEE STANDARD DRAWING G-10).
2. WEAKENED PLANE JOINTS AT MID POINT OF CURB RETURN, WHEN REQUIRED, AND AT 15' INTERVALS FROM P.C.R. (SEE STANDARD DRAWING G-10).
3. 1/4" GROOVES WITH 1/4" RADIUS EDGES AT 5' INTERVALS.

Revision	By	Approved	Date
ORIGINAL		KERCHEVAL	12/75
REFORMATTED		T. STANTON	04/06
REVIEWED	CV	CV	12/15
REVIEWED	RP	S. Engeda	03/22

SAN DIEGO REGIONAL STANDARD DRAWING

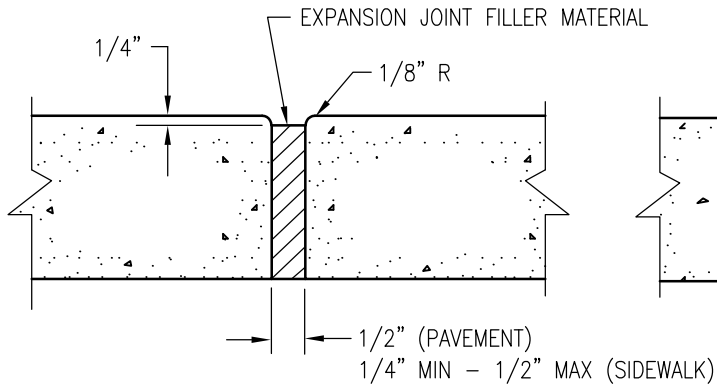
SIDEWALK JOINT LOCATIONS

RECOMMENDED BY THE SAN DIEGO REGIONAL STANDARDS COMMITTEE

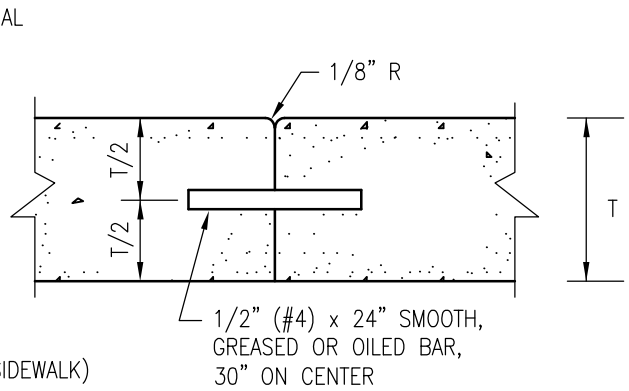
Samantha Engeda 03/24/2022

Chairperson R.C.E. 52241 Date

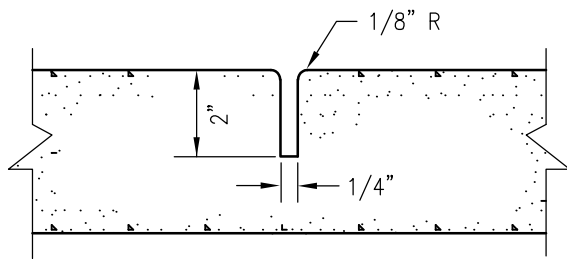
DRAWING NUMBER G-09



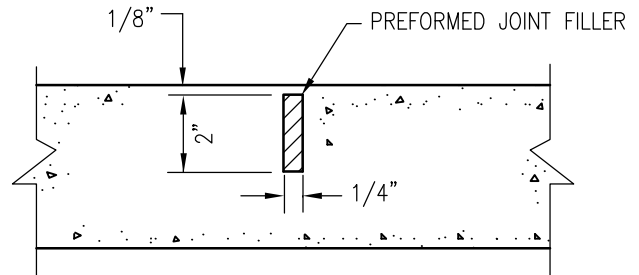
EXPANSION JOINT



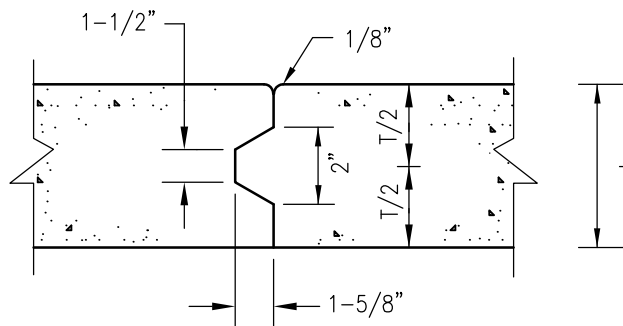
CONTACT JOINT



WEAKENED PLANE JOINT
CURB AND SIDEWALK



WEAKENED PLANE JOINT
GUTTER AND CONCRETE PAVEMENT



KEYED JOINT

Revision	By	Approved	Date
ORIGINAL		PARKINSON	02/95
UPDATED	CV	MR/CV	11/11
REVIEWED	CV	CV	12/15
Reviewed	RP	S. Engeda	03/22

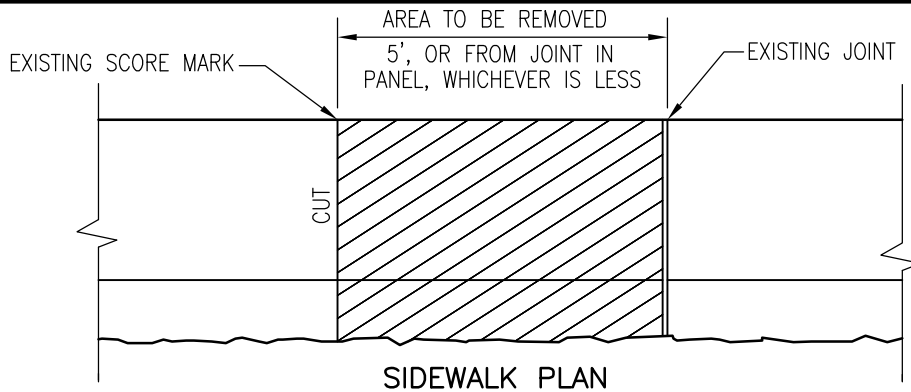
SAN DIEGO REGIONAL STANDARD DRAWING

CONCRETE JOINT DETAILS

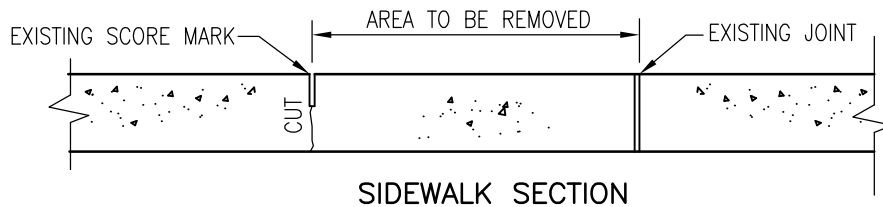
RECOMMENDED BY THE SAN DIEGO REGIONAL STANDARDS COMMITTEE

Susan Engeda 03/24/2022
Chairperson R.C.E. 52241 Date

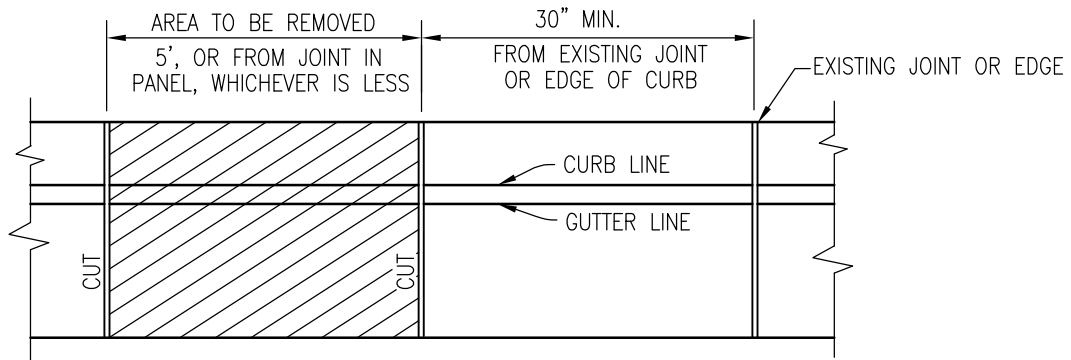
DRAWING NUMBER **G-10**



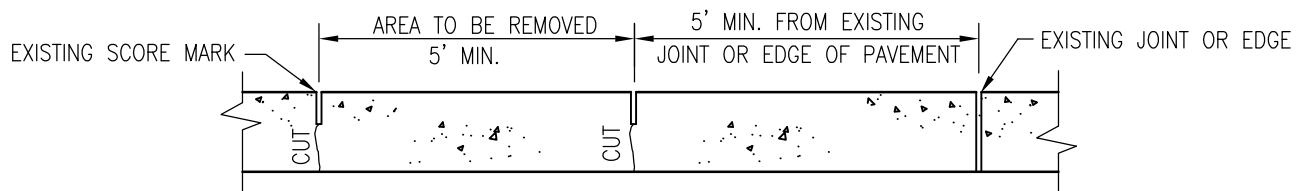
SIDEWALK PLAN



SIDEWALK SECTION



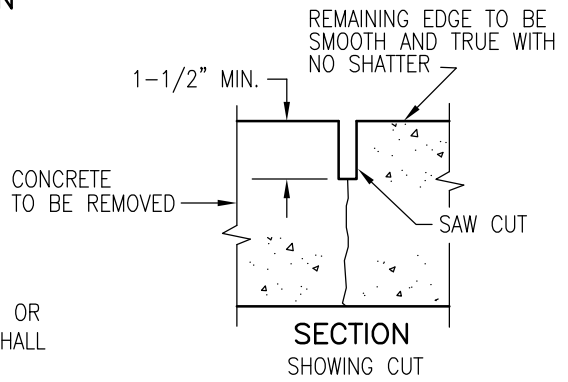
CURB PLAN



PAVEMENT SECTION

NOTE:

1. SIDEWALK CROSS SLOPE SHALL BE 2% MAX.
2. WHEN DISTANCE FROM "AREA TO BE REMOVED" TO EXISTING JOINT, EDGE OR SCORE MARK IS LESS THAN MINIMUM SHOWN, "AREA TO BE REMOVED" SHALL BE EXTENDED TO JOINT, EDGE OR SCORE MARK.



SECTION
SHOWING CUT

Revision	By	Approved	Date
ORIGINAL		KERCHEVAL	12/75
UPDATED	CV	MR/CV	11/11
REVIEWED	CV	CV	12/15
Reviewed	RP	S. Engeda	03/22

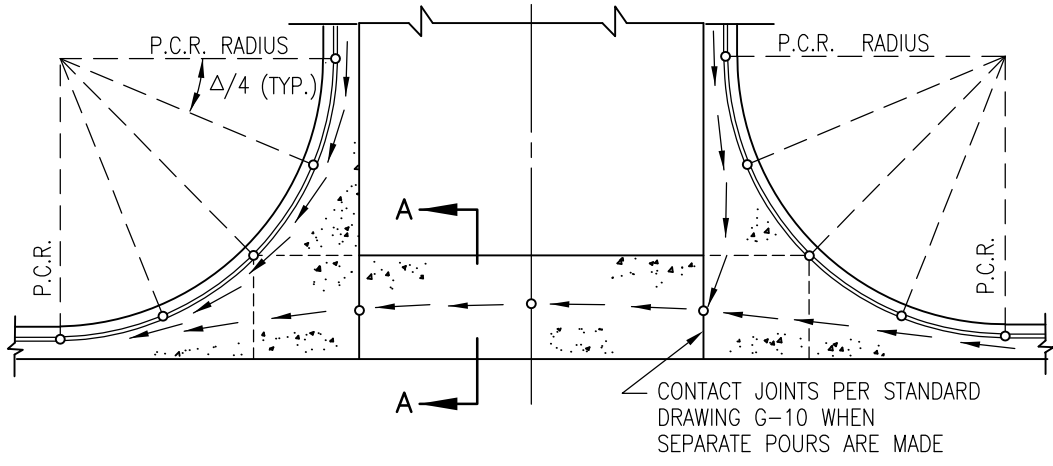
SAN DIEGO REGIONAL STANDARD DRAWING

**CONCRETE CURB, GUTTER,
SIDEWALK AND PAVEMENT
REMOVAL AND REPLACEMENT**

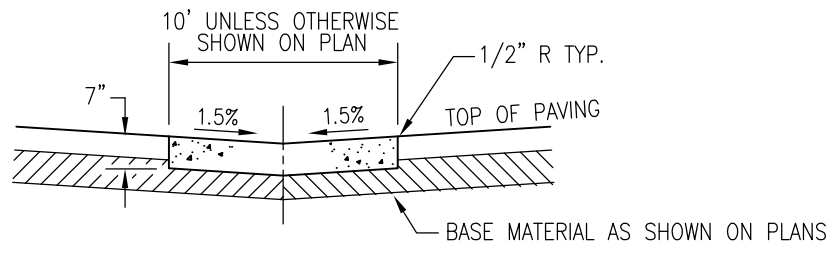
RECOMMENDED BY THE SAN DIEGO REGIONAL STANDARDS COMMITTEE

Samantha Engeda 03/24/2022
Chairperson R.C.E. 52241 Date

DRAWING NUMBER **G-11**



PLAN

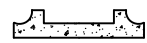


SECTION A-A

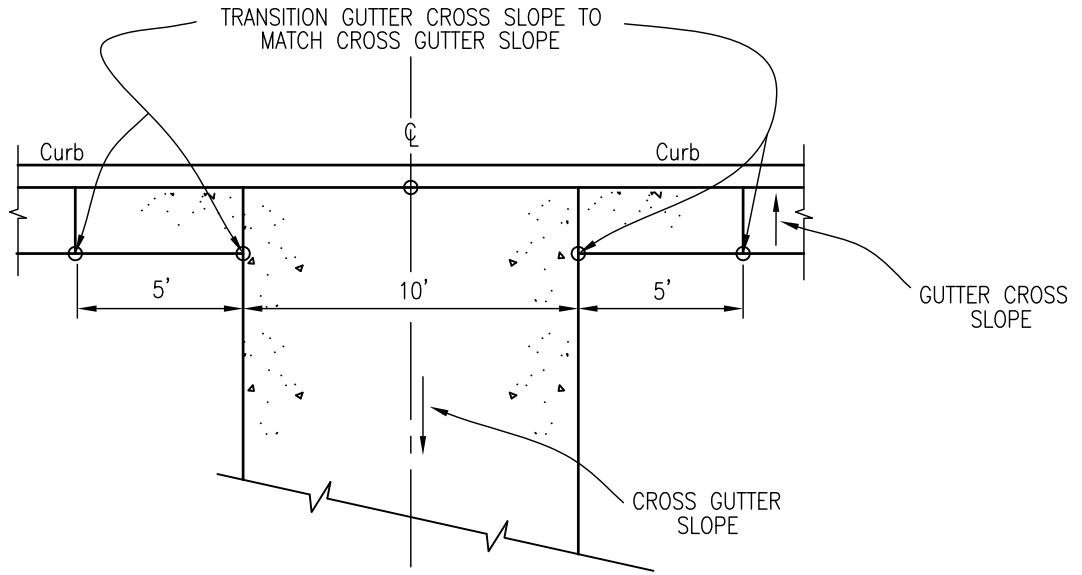
NOTES:

1. CONCRETE SHALL BE 560-C-3250.
2. ----- = WEAKENED PLANE JOINTS.
3. ← ← ← = TYPICAL FLOWLINES.
4. ○ = ELEVATIONS TO BE SHOWN ON PLANS.
5. RETURN SEGMENTS TO BE 7" THICK.
6. CURB BETWEEN P.C.R.S SHALL BE CONSIDERED AS PART OF THE CROSS GUTTER.
7. IN ALL CASES SUBGRADE SHALL BE COMPACTED TO 95% MIN. RELATIVE COMPACTION TO DEPTH OF 12".

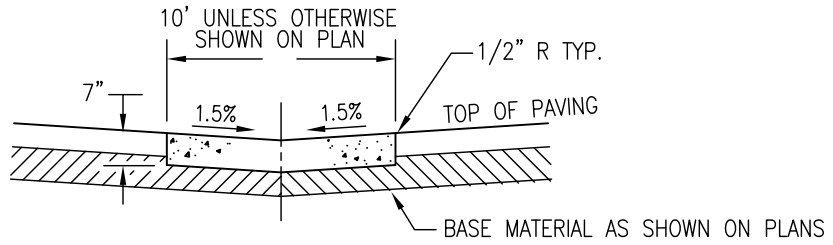
LEGEND ON PLANS



Revision	By	Approved	Date	SAN DIEGO REGIONAL STANDARD DRAWING	RECOMMENDED BY THE SAN DIEGO REGIONAL STANDARDS COMMITTEE	
ORIGINAL		KERCHEVAL	12/75			
UPDATED	CV	MR/CV	11/11	CROSS GUTTER	<i>Samsir Engeda</i> 03/24/2022	
REVIEWED	CV	CV	12/15		Chairperson R.C.E. 52241 Date	
Reviewed	RP	S. Engeda	03/22		DRAWING NUMBER	G-12



PLAN



SECTION

NOTES:

1. CROSS GUTTER TO BE CONSTRUCTED WHERE THE DRAINAGE IS CARRIED ACROSS THE STREET.
2. MINIMUM ALLOWABLE CROSS GUTTER SLOPE IS 0.5%.
3. CONCRETE SHALL BE 560-C-3250.
4. IN ALL CASES SUBGRADE SHALL BE COMPACTED TO 95% MINIMUM RELATIVE COMPACTION TO DEPTH OF 12".
5. ○ = ELEVATIONS SHOWN ON PLANS.

LEGEND ON PLANS



Revision	By	Approved	Date
ORIGINAL		KERCHEVAL	12/75
UPDATED	CV	MR/CV	11/11
UPDATED	CV	CV	12/15
Reviewed	RP	S. Engeda	03/22

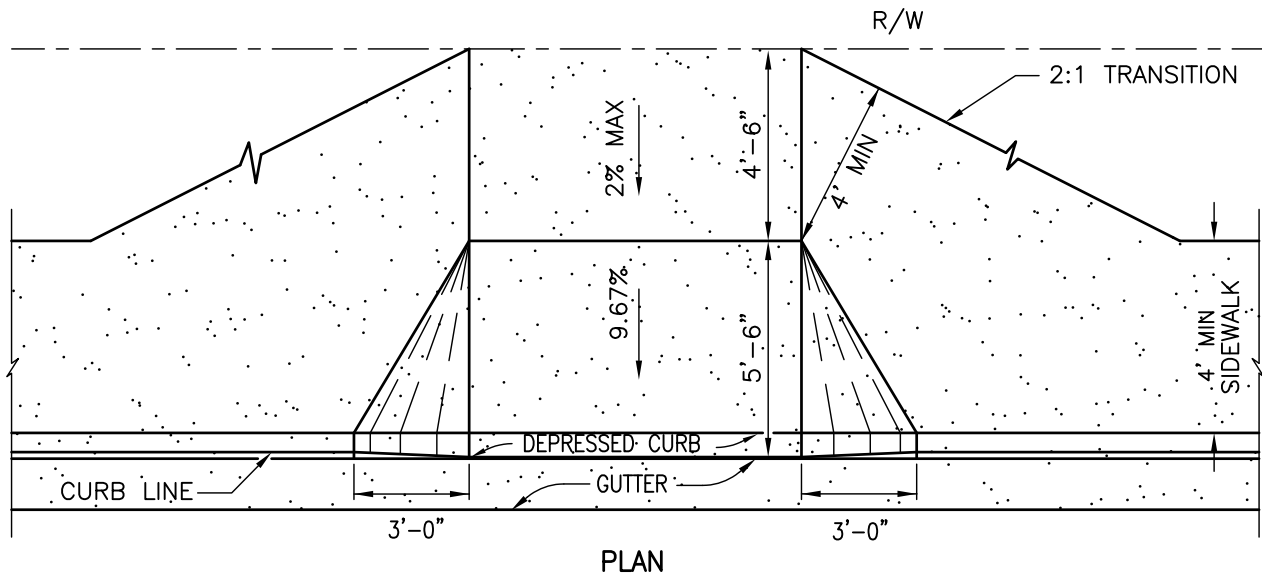
SAN DIEGO REGIONAL STANDARD DRAWING

MID-BLOCK CROSS GUTTER

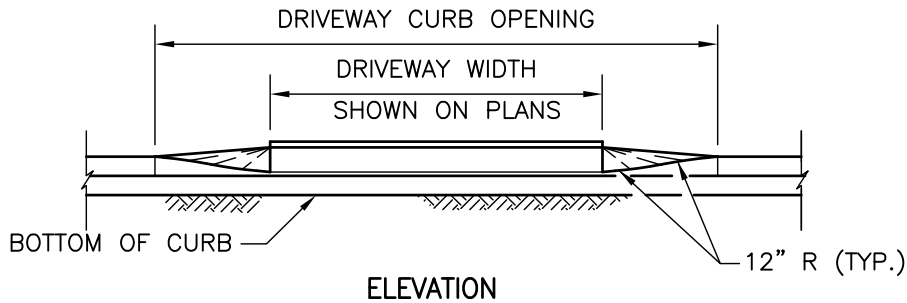
RECOMMENDED BY THE SAN DIEGO REGIONAL STANDARDS COMMITTEE

Samantha Engeda 03/24/2022
Chairperson R.C.E. 52241 Date

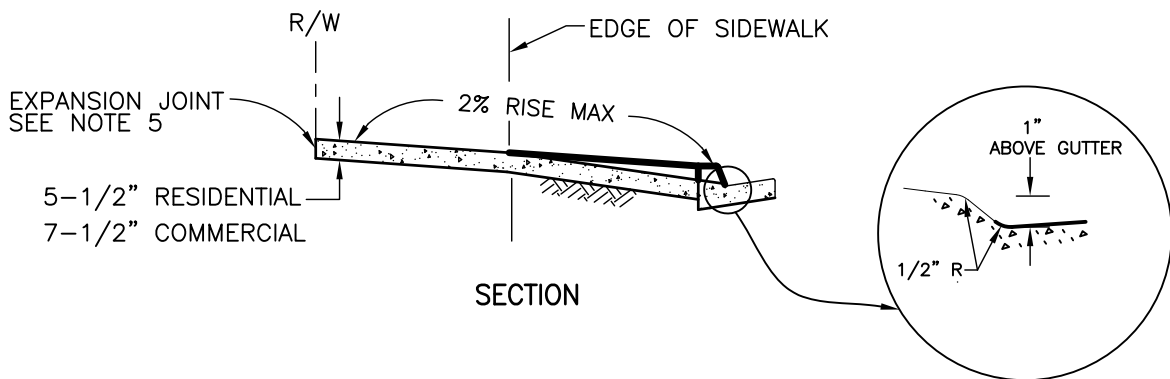
DRAWING NUMBER **G-13**



PLAN



ELEVATION



NOTES:

1. NO CONCRETE SHALL BE PLACED UNTIL FORMS AND SUBGRADE ARE INSPECTED BY THE AGENCY.
2. FOR RESIDENTIAL USE, CONCRETE SHALL BE 520-C-2500; FOR COMMERCIAL USE, CONCRETE SHALL BE 560-C-3250.
3. SEE STANDARD DRAWINGS G-15 AND G-16 FOR WIDTH AND LOCATION REQUIREMENTS.
4. DRIVEWAY RAMP TO EXTEND 10' FROM CURB FACE OR TO PROPERTY LINE WHICHEVER IS LESS.
5. PLACE EXPANSION JOINT AT RIGHT-OF-WAY OR 10' WHICHEVER IS LESS.
6. SEE STANDARD DRAWINGS G-2 AND G-10 FOR CURB AND JOINT DETAILS.
7. DIMENSIONS SHOWN REFLECT A 6" CURB HEIGHT.

Revision	By	Approved	Date
ORIGINAL		R. MUNOZ	4/97
UPDATED	MR	MR/CV	02/12
UPDATED	CV	CV	12/15
Reviewed	RP	S. Engeda	03/22

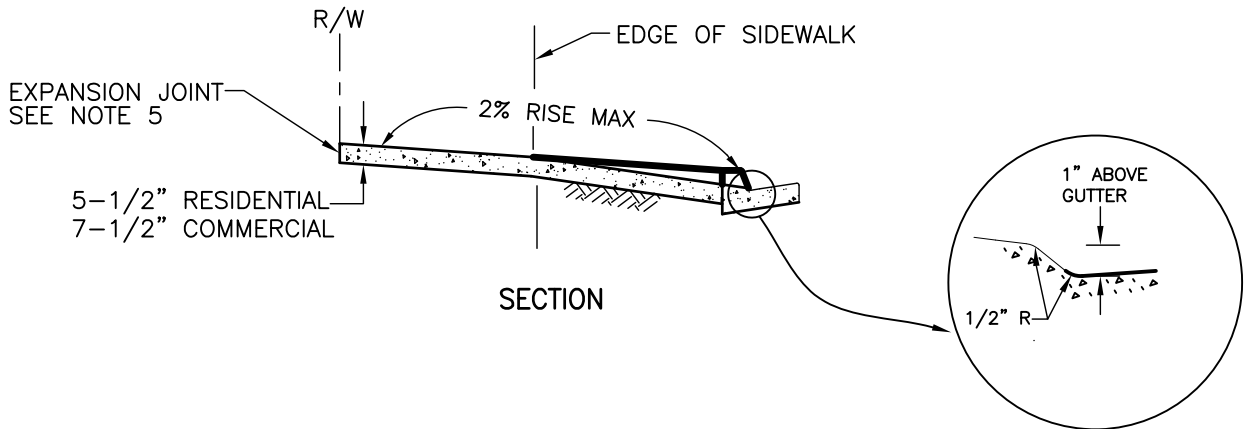
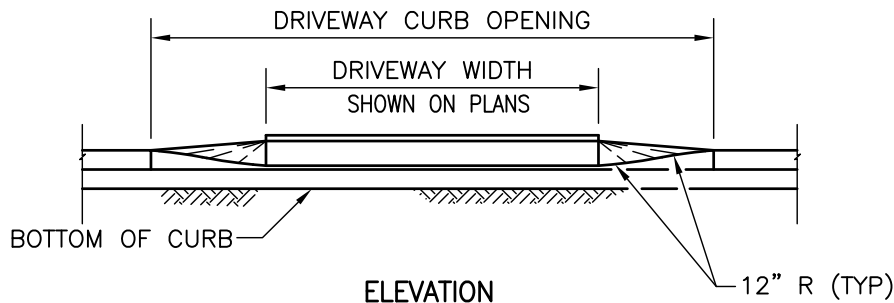
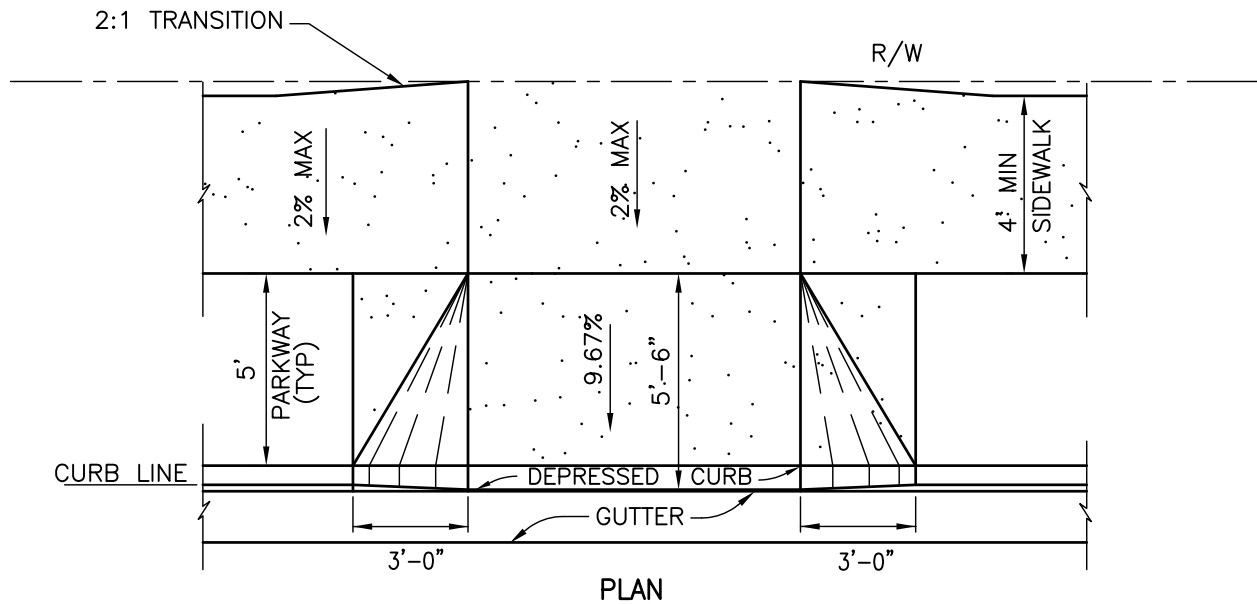
SAN DIEGO REGIONAL STANDARD DRAWING

**CONCRETE DRIVEWAY - TYPE A
(CONTIGUOUS SIDEWALK)**

RECOMMENDED BY THE SAN DIEGO REGIONAL STANDARDS COMMITTEE

Samantha Engeda 03/24/2022
Chairperson R.C.E. 52241 Date

DRAWING NUMBER **G-14A**



NOTES:

1. NO CONCRETE SHALL BE PLACED UNTIL FORMS AND SUBGRADE ARE INSPECTED BY THE AGENCY.
2. FOR RESIDENTIAL USE, CONCRETE SHALL BE 520-C-2500; FOR COMMERCIAL USE, CONCRETE SHALL BE 560-C-3250.
3. SEE STANDARD DRAWINGS G-15 AND G-16 FOR WIDTH AND LOCATION REQUIREMENTS.
4. DRIVEWAY RAMP TO EXTEND TO 10' FROM CURB FACE OR TO PROPERTY LINE WHICHEVER IS LESS.
5. PLACE EXPANSION JOINT AT RIGHT-OF-WAY OR 10', WHICHEVER IS LESS.
6. SEE STANDARD DRAWINGS G-2 AND G-10 FOR CURB AND JOINT DETAILS.
7. DIMENSIONS SHOWN REFLECT A 6" CURB HEIGHT.

Revision	By	Approved	Date
ORIGINAL		R. MUNOZ	4/97
UPDATED	MR	MR/CV	02/12
UPDATED	CV	CV	12/15
Reviewed	RP	S. Engeda	03/22

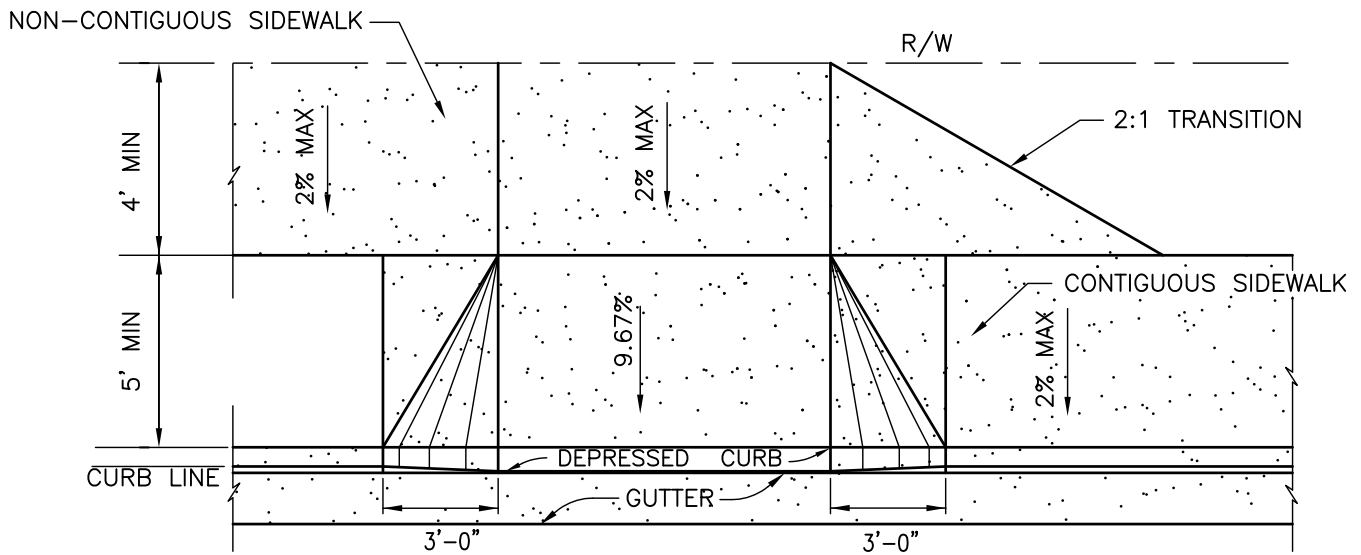
SAN DIEGO REGIONAL STANDARD DRAWING

**CONCRETE DRIVEWAY
(NON-CONTIGUOUS SIDEWALK)**

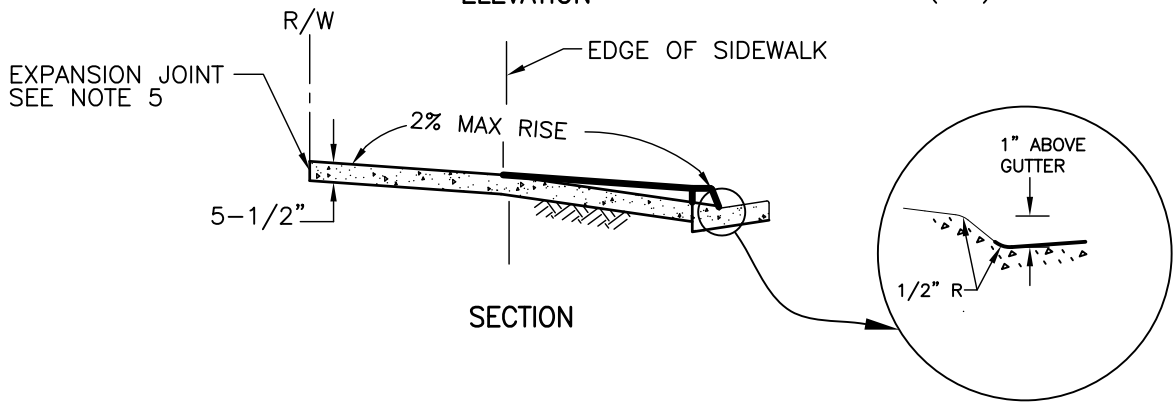
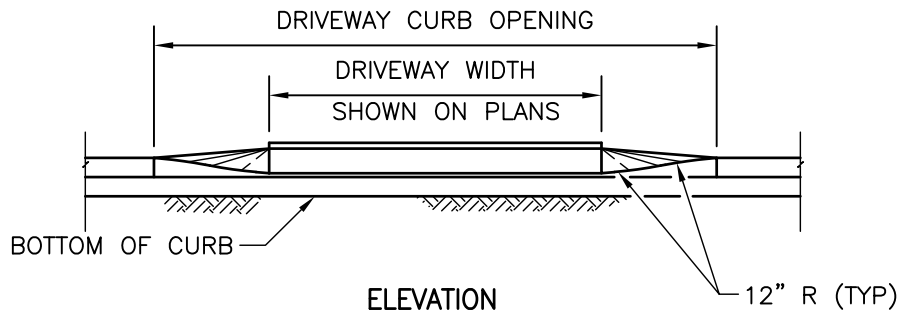
RECOMMENDED BY THE SAN DIEGO REGIONAL STANDARDS COMMITTEE

Samantha Engeda 03/24/2022
Chairperson R.C.E. 52241 Date

DRAWING NUMBER **G-14B**



PLAN



NOTES:

1. NO CONCRETE SHALL BE PLACED UNTIL FORMS AND SUBGRADE ARE INSPECTED BY THE AGENCY.
2. CONCRETE SHALL BE 520-C-2500.
3. SEE STANDARD DRAWINGS G-15 AND G-16 FOR WIDTH AND LOCATION REQUIREMENTS.
4. DRIVEWAY RAMP TO EXTEND 10' FROM FACE OF CURB OR TO PROPERTY LINE WHICHEVER IS LESS.
5. PLACE EXPANSION JOINT AT RIGHT-OF-WAY OR 10', WHICHEVER IS LESS.
6. SEE STANDARD DRAWINGS G-2 AND G-10 FOR CURB AND JOINT DETAILS.
7. DIMENSIONS SHOWN REFLECT A 6" CURB HEIGHT.

Revision	By	Approved	Date
ORIGINAL		R. MUNOZ	4/97
UPDATED	MR	MR/CV	02/12
UPDATED	CV	CV	12/15
Reviewed	RP	S. Engeda	03/22

SAN DIEGO REGIONAL STANDARD DRAWING

**RESIDENTIAL
CONCRETE DRIVEWAY
(PARKWAY LESS THAN 10' IN DEPTH)**

RECOMMENDED BY THE SAN DIEGO REGIONAL STANDARDS COMMITTEE

Somayr Engeda 03/24/2022
Chairperson R.C.E. 52241 Date

DRAWING NUMBER **G-14C**

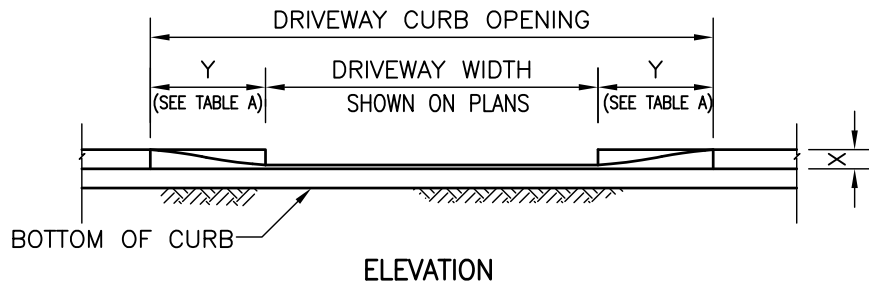
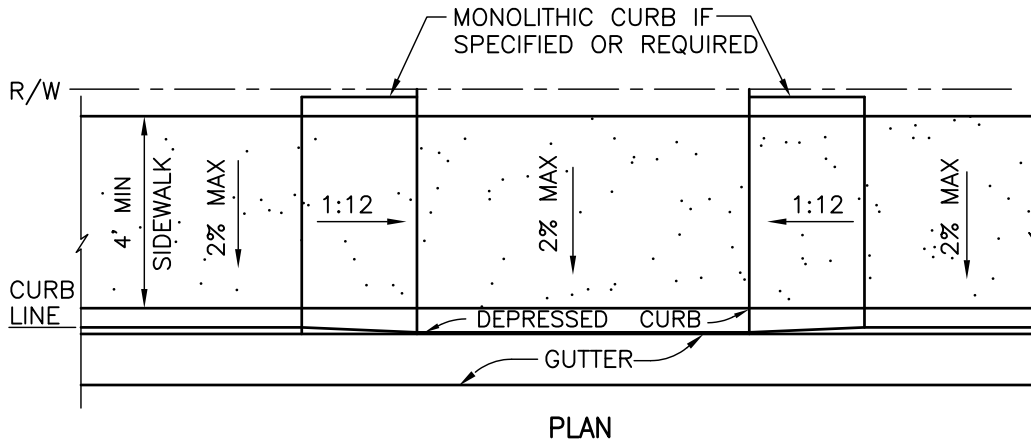
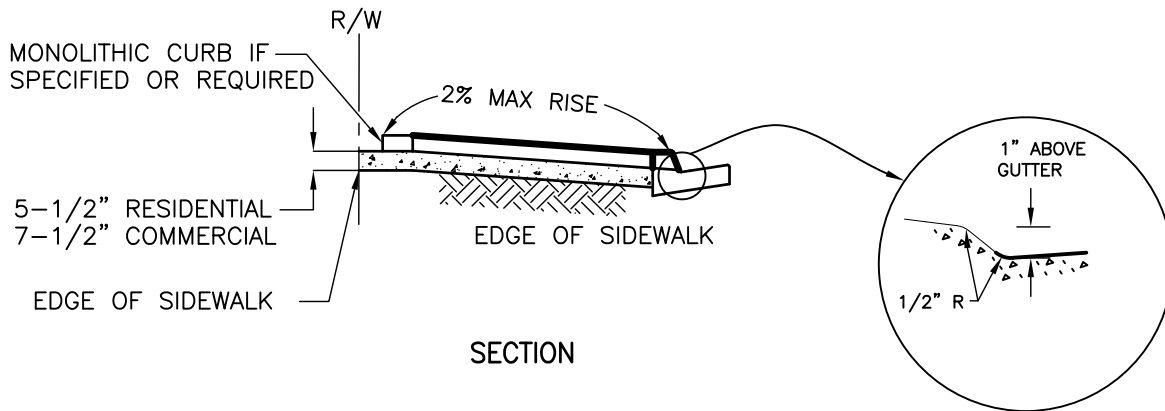


TABLE A	
X	Y
CURB HEIGHT	RAMP LENGTH
1"	0'-0"
2"	1'-0"
3"	2'-0"
4"	3'-0"
5"	4'-0"
6"	5'-0"
7"	6'-0"
8"	7'-0"



NOTES:

1. NO CONCRETE SHALL BE PLACED UNTIL FORMS AND SUBGRADE ARE INSPECTED BY THE AGENCY.
2. FOR RESIDENTIAL USE, CONCRETE SHALL BE 520-C-2500; FOR COMMERCIAL USE, CONCRETE SHALL BE 560-C-3250.
3. SEE STANDARD DRAWINGS G-15 AND G-16 FOR WIDTH AND LOCATION REQUIREMENTS.
4. SEE STANDARD DRAWINGS G-2 AND G-10 FOR CURB AND JOINT DETAILS.
5. PLACE EXPANSION JOINT AT RIGHT-OF-WAY.
6. DIMENSIONS SHOWN REFLECT A 6" CURB HEIGHT.
7. RAMP LENGTH CALCULATIONS ARE BASED ON X=1" TO ACCOUNT FOR THE 1" DRIVEWAY LIP.
8. IF USING FOR ALLEY CROSSING, INSTALL TRUNCATED DOMES PER G-30 AT BOTTOM OF RAMPS.

Revision	By	Approved	Date
Reviewed		T. STANTON	04/06
Updated	MR	MR/CV	02/12
Updated	CV	CV	12/15
Updated	RP	S. Engeda	03/22

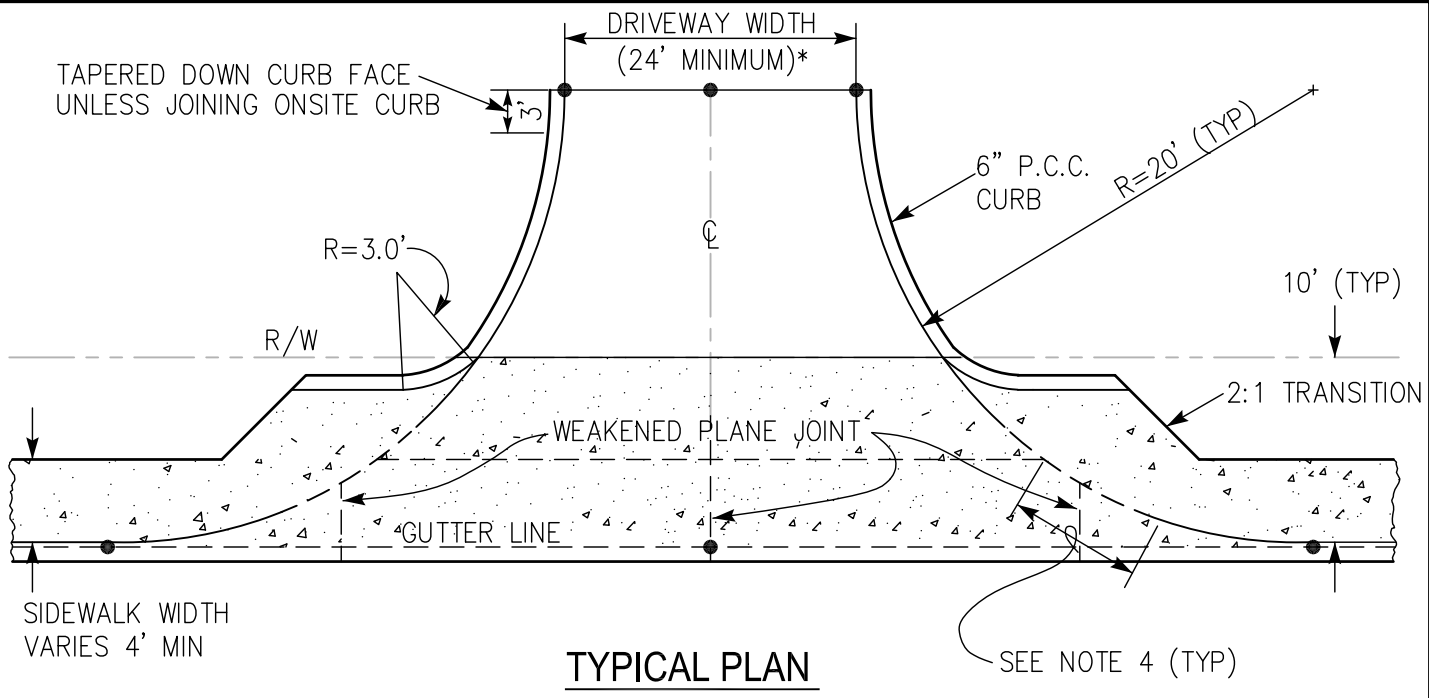
SAN DIEGO REGIONAL STANDARD DRAWING

**CONCRETE DRIVEWAY
(FOR CONFINED RIGHT-OF-WAY)**

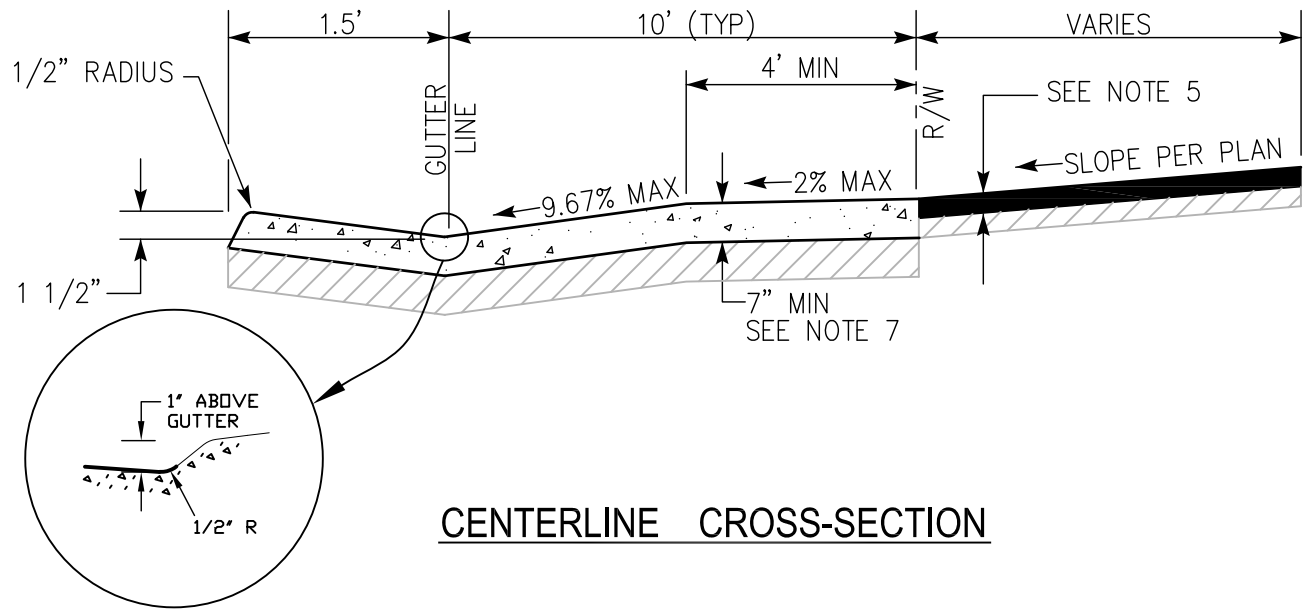
RECOMMENDED BY THE SAN DIEGO REGIONAL STANDARDS COMMITTEE

Samantha Engeda 03/24/2022
Chairperson R.C.E. 52241 Date

DRAWING NUMBER **G-14D**



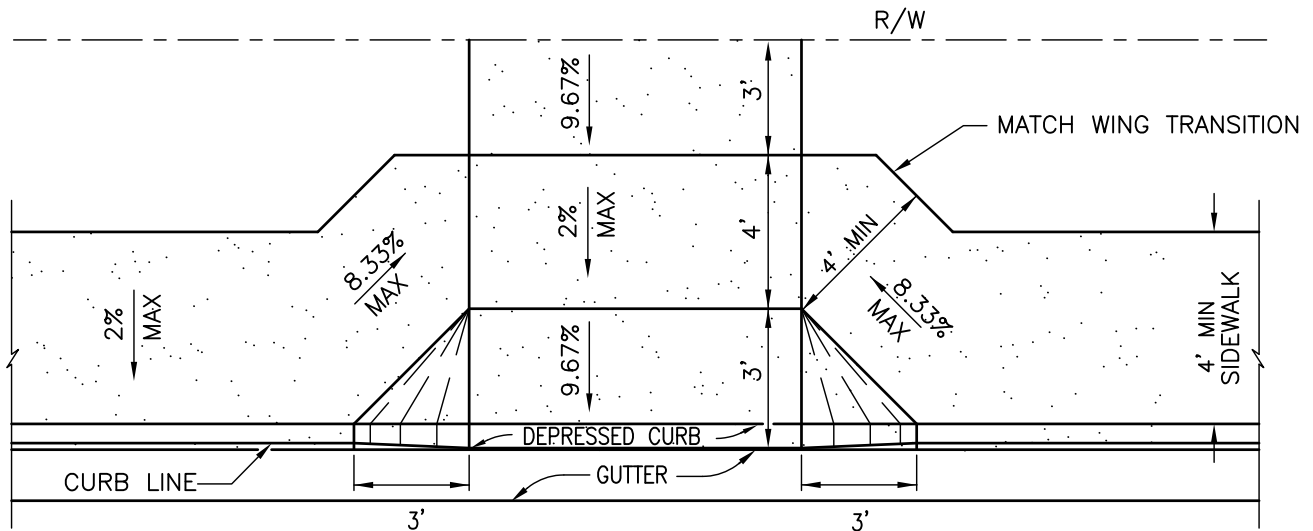
TYPICAL PLAN



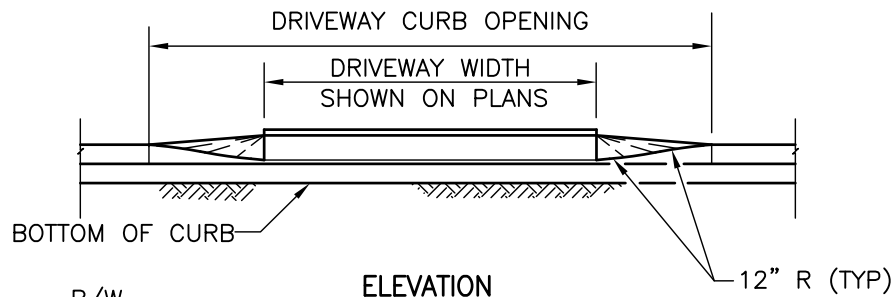
CENTERLINE CROSS-SECTION

1. * OR AS REQUIRED BY THE AGENCY.
2. ● = ELEVATION SHOWN ON PLANS (TOP OF CURB, AND GUTTER ELEVATION)
3. ALL CONCRETE SHALL BE 560-C-3250
4. TRANSITION FROM FULL HEIGHT CURB TO NO CURB. 6FT TRANSITION FOR 5FT WIDE SIDEWALK AND 8FT TRANSITION FOR 6FT WIDE SIDEWALK.
5. PAVEMENT STRUCTURAL SECTION SHALL BE SHOWN ON PLANS.
6. SEE G-2 AND G-10 FOR CURB AND JOINT DETAILS.
7. BASE MATERIAL AS SHOWN ON PLANS.

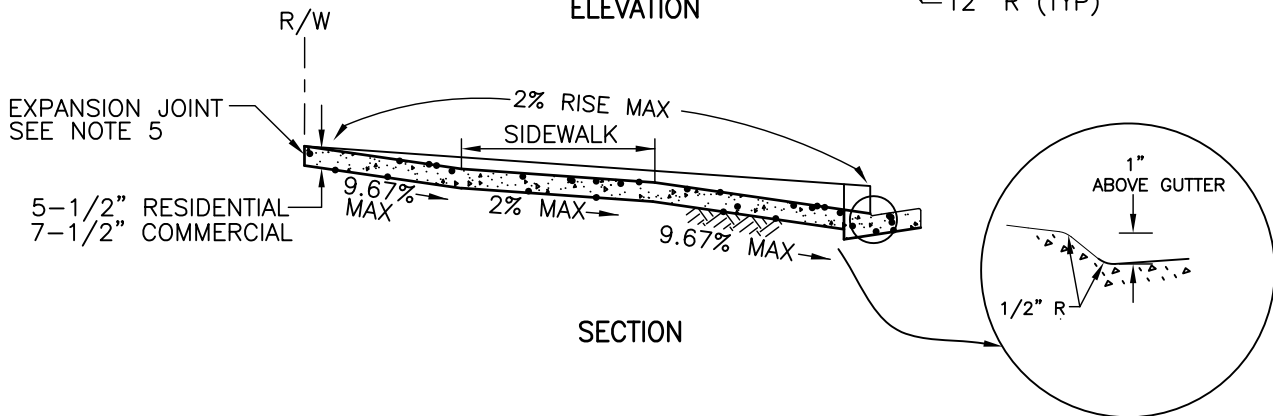
Revision	By	Approved	Date	SAN DIEGO REGIONAL STANDARD DRAWING	RECOMMENDED BY THE SAN DIEGO REGIONAL STANDARDS COMMITTEE
NEW	MR	MR/CV	09/11		CONCRETE DRIVEWAY (ALLEY TYPE)
UPDATED	CV	CV	12/15	Chairperson R.C.E. 52241 Date	
Reviewed	RP	S. Engeda	03/22	DRAWING NUMBER G-14E	



PLAN



ELEVATION



SECTION

NOTES:

1. NO CONCRETE SHALL BE PLACED UNTIL FORMS AND SUBGRADE ARE INSPECTED BY AGENCY.
2. FOR RESIDENTIAL USE, CONCRETE SHALL BE 520-C-2500; FOR COMMERCIAL USE, CONCRETE SHALL BE 560-C-3250.
3. SEE STANDARD DRAWINGS G-15 AND G-16 FOR WIDTH AND LOCATION REQUIREMENTS.
4. DRIVEWAY RAMP TO EXTEND TO 10' FROM CURB FACE OR TO RIGHT-OF-WAY, WHICHEVER IS LESS.
5. PLACE EXPANSION JOINT AT RIGHT-OF-WAY OR 10', WHICHEVER IS LESS.
6. SEE STANDARD DRAWINGS G-2 AND G-10 FOR CURB AND JOINT DETAILS.
7. DIMENSIONS SHOWN REFLECT A 6" CURB HEIGHT.

Revision	By	Approved	Date
NEW	MR	MR/CV	02/12
UPDATED	CV	CV	12/15
Reviewed	RP	S. Engeda	03/22

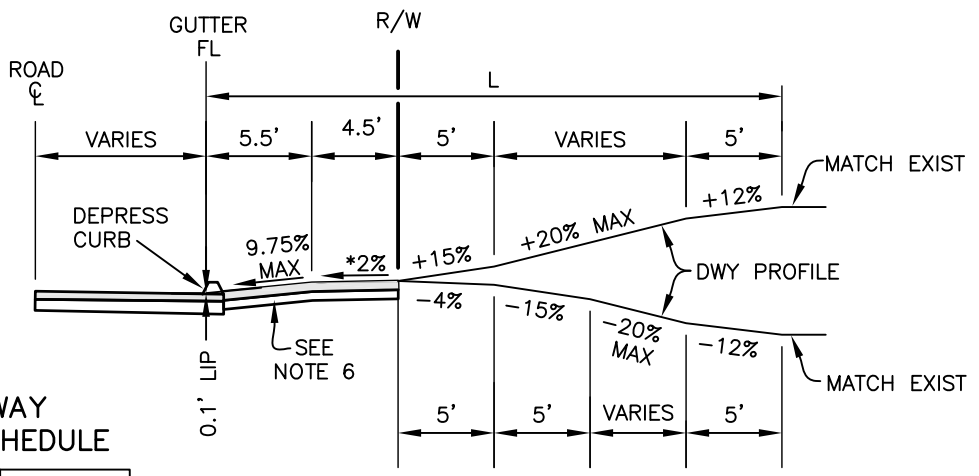
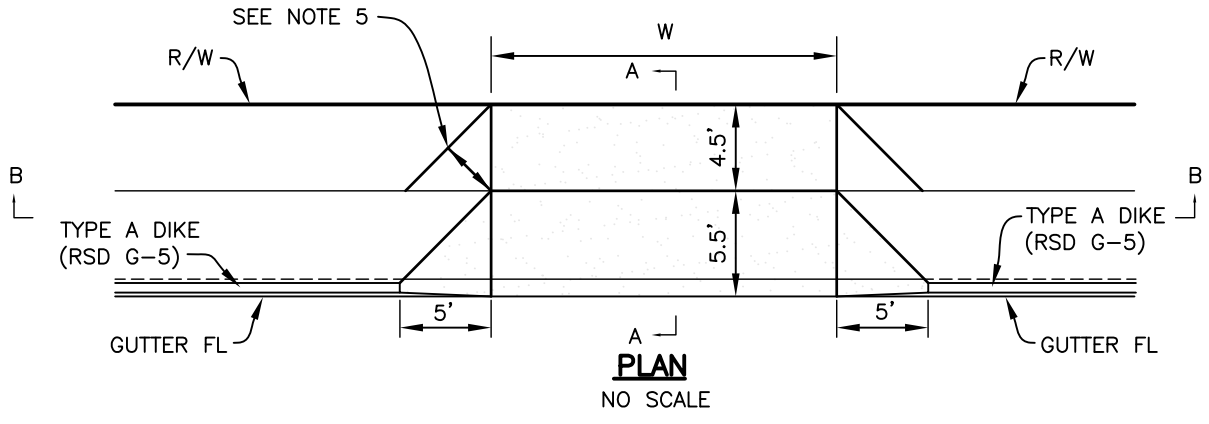
SAN DIEGO REGIONAL STANDARD DRAWING

**CONCRETE DRIVEWAY - TYPE B
(CONTIGUOUS SIDEWALK)**

RECOMMENDED BY THE SAN DIEGO REGIONAL STANDARDS COMMITTEE

Samantha Engeda 03/24/2022
Chairperson R.C.E. 52241 Date

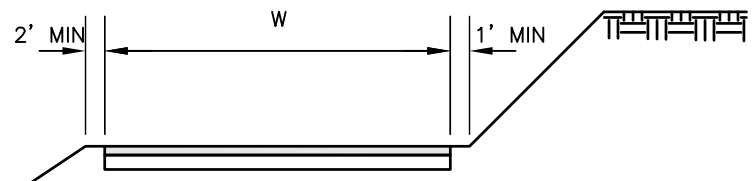
DRAWING NUMBER **G-14F**



DRIVEWAY PAVING SCHEDULE

MINIMUM DEPTH OF A.C.	GRADE
2"	0-15%
3"	16-20%

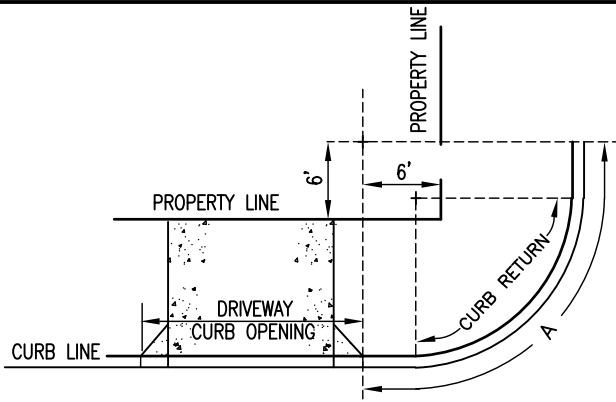
MIN DEPTHS PER COUNTY FIRE STDS. LOCAL AGENCY REQUIREMENTS MAY VARY.



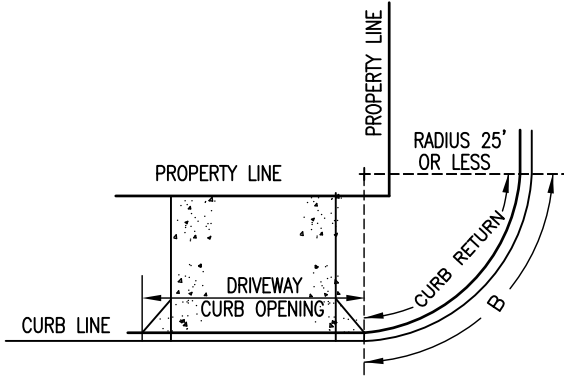
NOTES:

1. DRIVEWAY PROFILE, WIDTH (W) AND LENGTH (L) SHALL BE SHOWN ON PLANS.
2. DRIVEWAYS WITH GRADES GREATER THAN 15% SHALL BE SURFACED WITH ASPHALT CONCRETE (AC) OR PORTLAND CEMENT CONCRETE (PCC).
3. MAXIMUM GRADE BREAK 14% (5' MINIMUM VERTICAL CURVE PREFERRED).
4. SEE SAN DIEGO AREA REGIONAL STANDARD DRAWINGS G-15 & G-16 FOR DRIVEWAY LOCATION & WIDTH REQUIREMENTS AND G-14 SERIES FOR PCC DRIVEWAYS.
5. 4' MINIMUM ADA ACCESS WHEN WALKWAYS ARE PROVIDED.
6. 4" MINIMUM AC OVER 6" MINIMUM BASE, UNLESS OTHERWISE INDICATED ON PLANS.

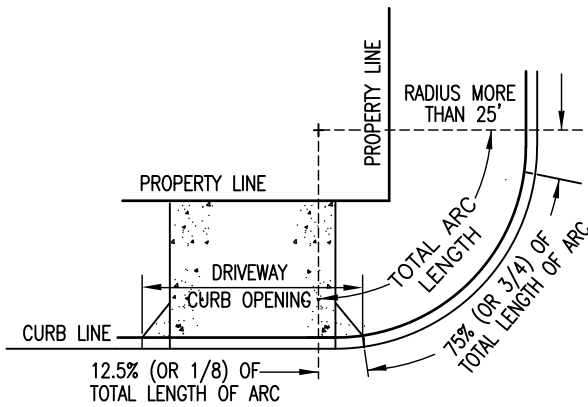
Revision	By	Approved	Date	SAN DIEGO REGIONAL STANDARD DRAWING	RECOMMENDED BY THE SAN DIEGO REGIONAL STANDARDS COMMITTEE
NEW	MR	MR/CV	09/11		
UPDATED	CV	CV	12/15	ASPHALT CONCRETE DRIVEWAY	<i>Samantha Engeda</i> 03/24/2022
Reviewed	RP	S. Engeda	03/22		Chairperson R.C.E. 52241 Date
					DRAWING NUMBER G-14G



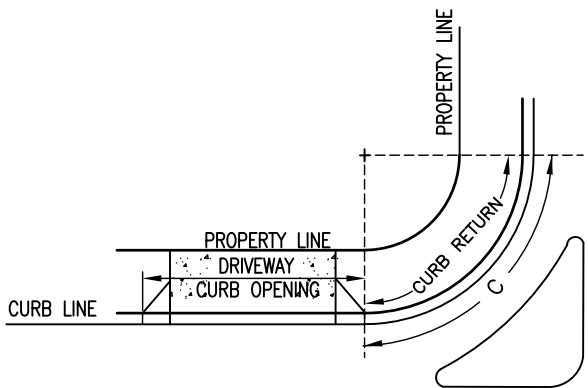
REQUIREMENT 1
 NO PORTION OF ANY CURB OPENING SHALL BE PERMITTED WITHIN 6' OF THE INTERSECTION OF THE PROLONGED PROPERTY LINES AND THE CURB SHOWN BY ARC A.



REQUIREMENT 2
 NO PORTION OF ANY CURB OPENING SHALL BE PERMITTED IN THE CURB RETURN WHERE THE RADIUS OF CURB IS 25' OR LESS, AS SHOWN BY ARC B.



REQUIREMENT 3
 ON ALL CURB RETURNS WHERE THE RADIUS IS MORE THAN 25', CURB OPENINGS MAY ENCRUCH UPON EACH END OF THE RETURN A DISTANCE EQUAL TO 12.5% (OR 1/8) OF THE TOTAL LENGTH OF THE ARC ON THE CURB RETURN, THUS LEAVING AT LEAST 75% (OR 3/4) OF THE LENGTH OF ARC ON THE RETURN FACE FREE FROM DRIVEWAY ENCRUCHMENT, PROVIDED REQUIREMENT 1 IS MET.



REQUIREMENT 4
 NO PORTION OF ANY CURB OPENING SHALL BE PERMITTED IN THE CURB RETURN WHERE A SEPARATE TURNING MOVEMENT IS PROVIDED, AS SHOWN BY ARC C.

Revision	By	Approved	Date
ORIGINAL		KERCHEVAL	12/75
UPDATED	CV	CV	12/15
Reviewed	MW	M. Widelski	10/18
Reviewed	RP	S. Engeda	03/22

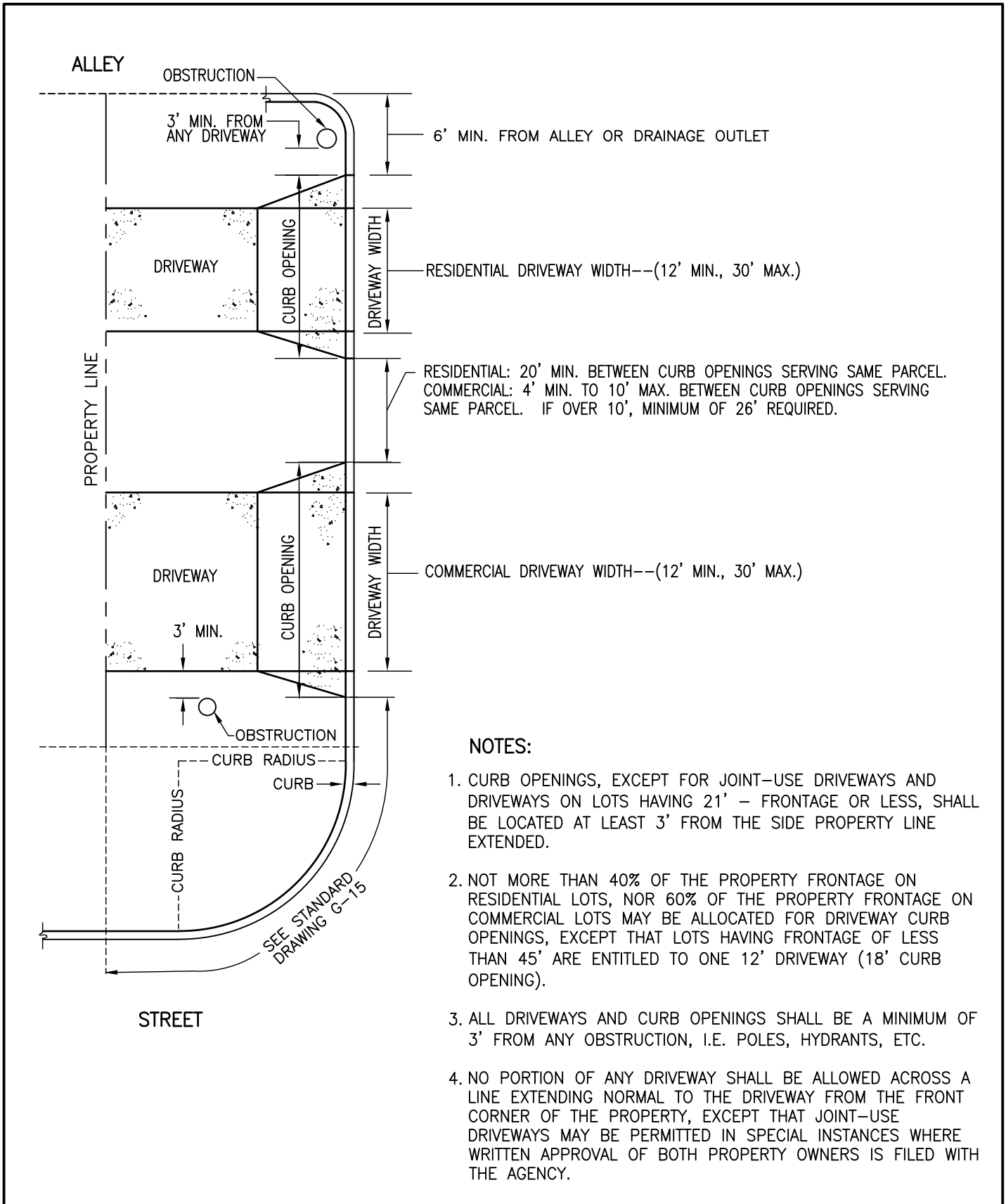
SAN DIEGO REGIONAL STANDARD DRAWING

DRIVEWAY LOCATION - ADJACENT TO CURB RETURNS AND STREET LINES

RECOMMENDED BY THE SAN DIEGO REGIONAL STANDARDS COMMITTEE

Saman Engeda 03/24/2022
 Chairperson R.C.E. 52241 Date

DRAWING NUMBER **G-15**



NOTES:

1. CURB OPENINGS, EXCEPT FOR JOINT-USE DRIVEWAYS AND DRIVEWAYS ON LOTS HAVING 21' - FRONTAGE OR LESS, SHALL BE LOCATED AT LEAST 3' FROM THE SIDE PROPERTY LINE EXTENDED.
2. NOT MORE THAN 40% OF THE PROPERTY FRONTAGE ON RESIDENTIAL LOTS, NOR 60% OF THE PROPERTY FRONTAGE ON COMMERCIAL LOTS MAY BE ALLOCATED FOR DRIVEWAY CURB OPENINGS, EXCEPT THAT LOTS HAVING FRONTAGE OF LESS THAN 45' ARE ENTITLED TO ONE 12' DRIVEWAY (18' CURB OPENING).
3. ALL DRIVEWAYS AND CURB OPENINGS SHALL BE A MINIMUM OF 3' FROM ANY OBSTRUCTION, I.E. POLES, HYDRANTS, ETC.
4. NO PORTION OF ANY DRIVEWAY SHALL BE ALLOWED ACROSS A LINE EXTENDING NORMAL TO THE DRIVEWAY FROM THE FRONT CORNER OF THE PROPERTY, EXCEPT THAT JOINT-USE DRIVEWAYS MAY BE PERMITTED IN SPECIAL INSTANCES WHERE WRITTEN APPROVAL OF BOTH PROPERTY OWNERS IS FILED WITH THE AGENCY.

Revision	By	Approved	Date
ORIGINAL		KERCHEVAL	12/75
UPDATED	MR	MR/CV	03/12
UPDATED	CV	CV	12/15
Reviewed	RP	S. Engeda	03/22

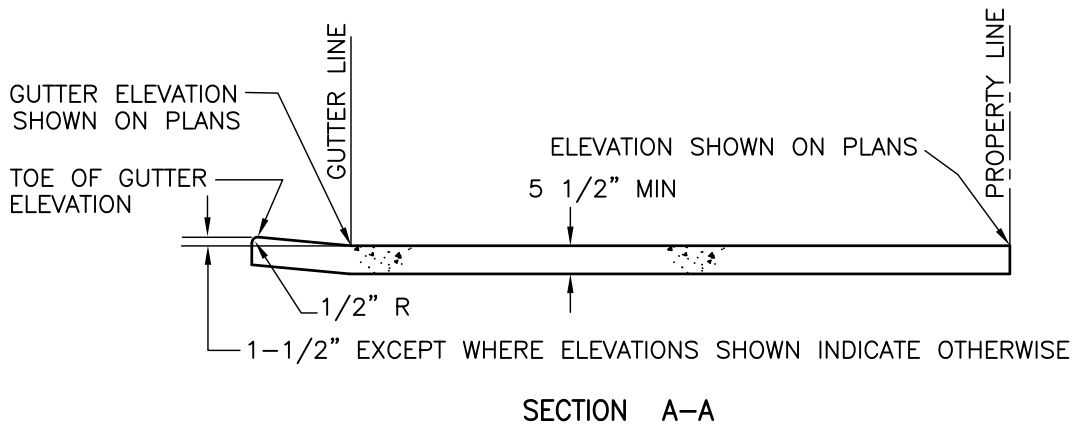
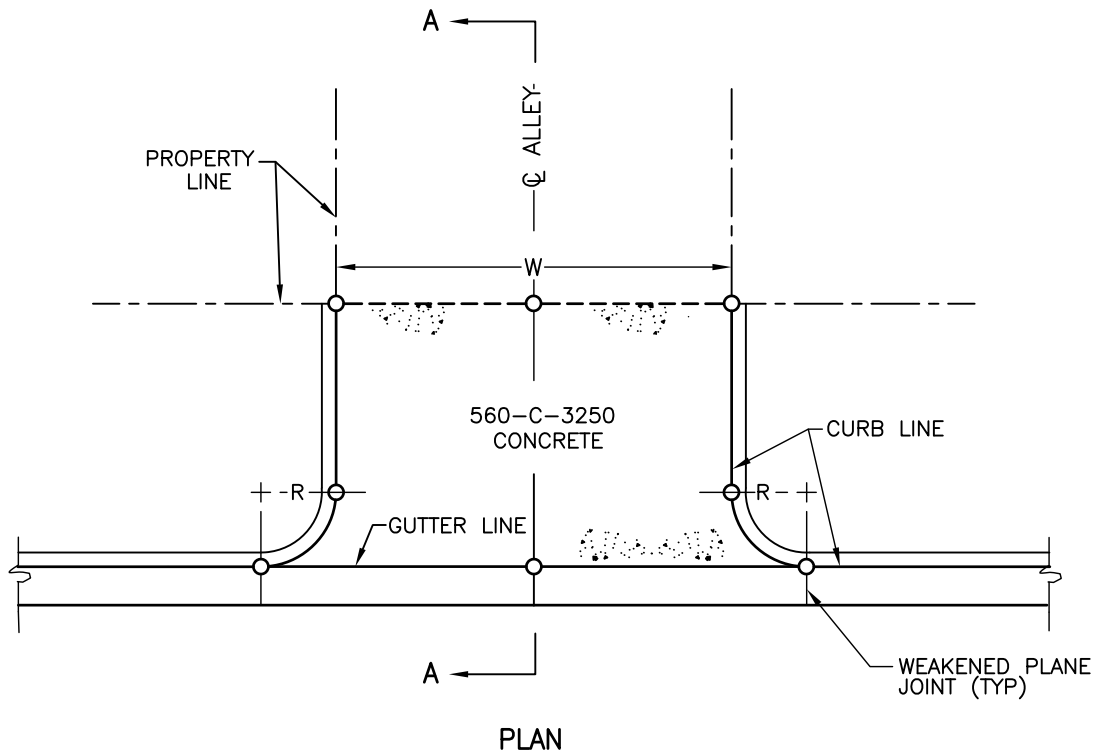
SAN DIEGO REGIONAL STANDARD DRAWING

**DRIVEWAY LOCATION
AND WIDTH REQUIREMENTS**

RECOMMENDED BY THE SAN DIEGO REGIONAL STANDARDS COMMITTEE

Samantha Engeda 03/24/2022
Chairperson R.C.E. 52241 Date

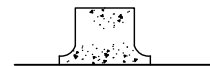
DRAWING NUMBER G-16



NOTES:

1. SIDEWALK RAMPS SHALL BE INSTALLED AS REQUIRED BY AGENCY.
2. W = WIDTH SHOWN ON PLANS.
3. R = RADIUS SHOWN ON PLANS (3' MINIMUM).
4. ○ = ELEVATION SHOWN ON PLANS (TOP OF CURB AND GUTTER ELEV.)
5. --- = 1/2" EXPANSION JOINTS.

LEGEND ON PLANS



Revision	By	Approved	Date
ORIGINAL		KERCHEVAL	12/75
UPDATED	MR	MR/CV	03/12
UPDATED	CV	CV	12/15
Reviewed	RP	S. Engeda	03/22

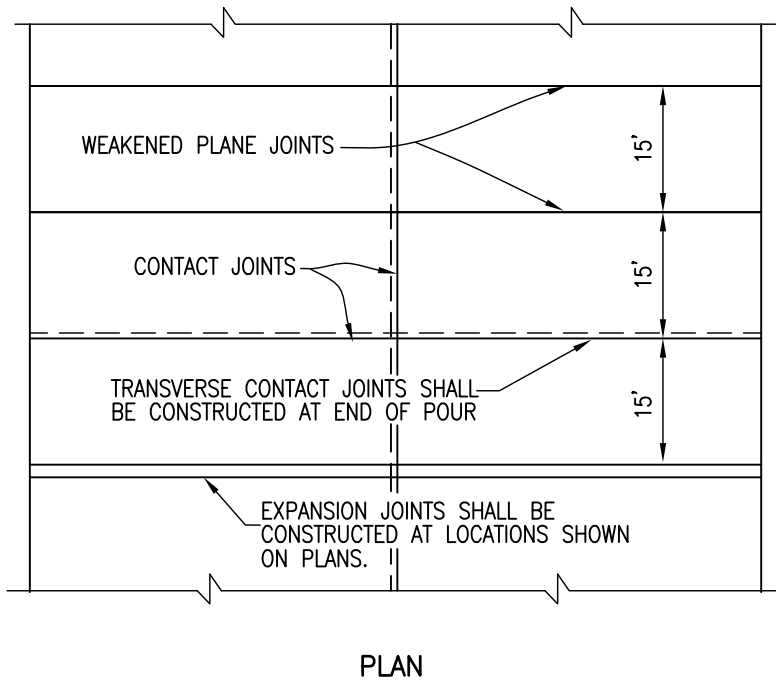
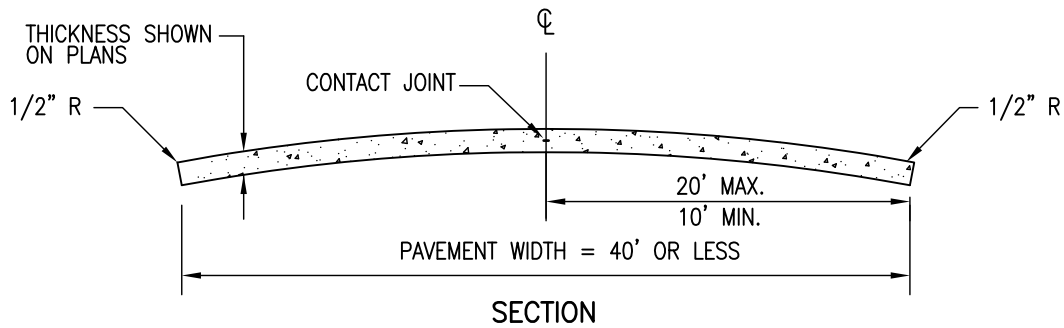
SAN DIEGO REGIONAL STANDARD DRAWING

ALLEY APRON

RECOMMENDED BY THE SAN DIEGO REGIONAL STANDARDS COMMITTEE

Samsir Engeda 03/24/2022
Chairperson R.C.E. 52241 Date

DRAWING NUMBER **G-17**



NOTES:

1. CONCRETE SHALL BE 560-C-3250.
2. SEE STANDARD DRAWING G-10 FOR JOINT DETAILS.
3. ADJUST 15' INTERVAL BETWEEN TRANSVERSE JOINTS TO MATCH ADJACENT EXISTING IMPROVEMENTS.

Revision	By	Approved	Date
ORIGINAL		KERCHEVAL	12/75
UPDATED	MR	MR/CV	03/12
UPDATED	CV	CV	12/15
Reviewed	RP	S. Engeda	03/22

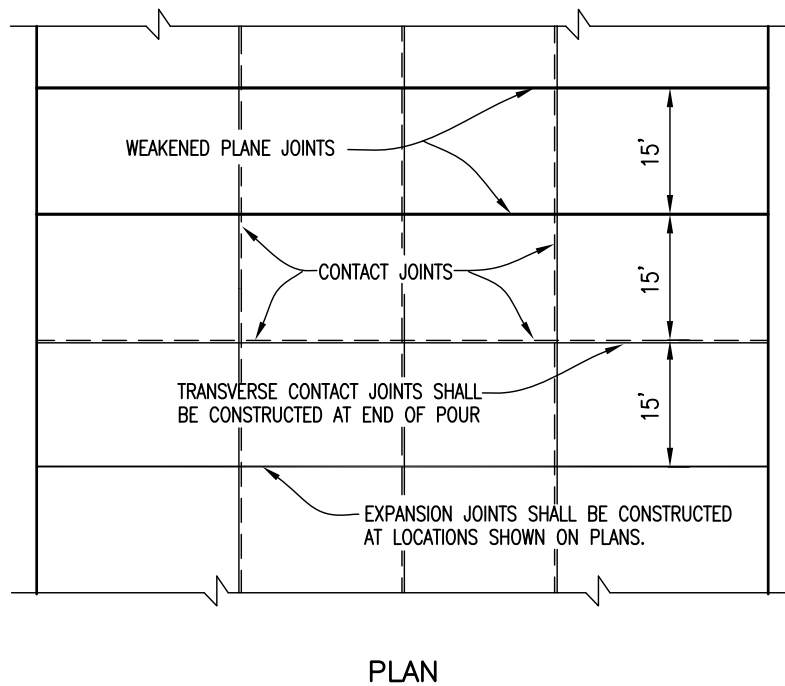
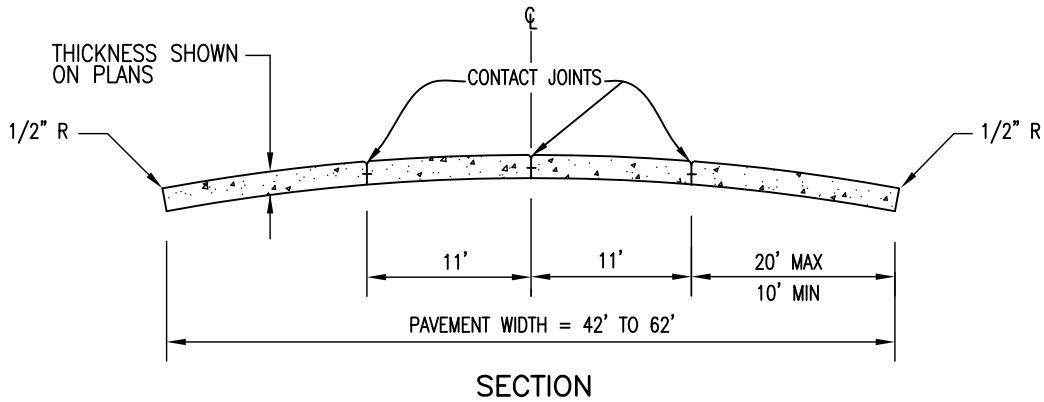
SAN DIEGO REGIONAL STANDARD DRAWING

**CONCRETE PAVEMENT
WIDTH 40' OR LESS**

RECOMMENDED BY THE SAN DIEGO REGIONAL STANDARDS COMMITTEE

Samantha Engeda 03/24/2022
Chairperson R.C.E. 52241 Date

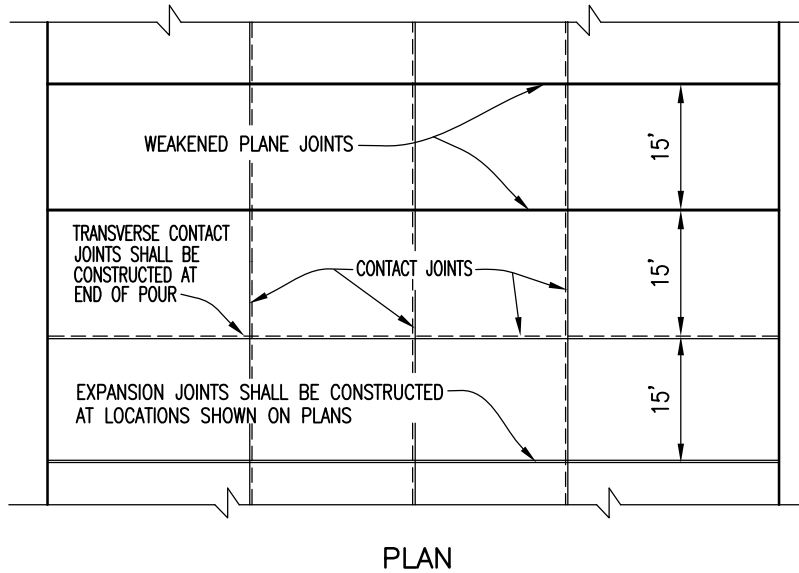
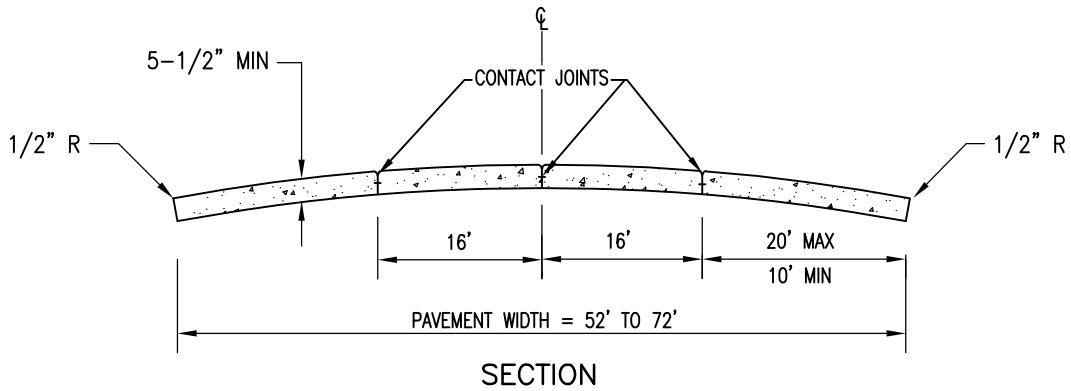
DRAWING NUMBER **G-18**



NOTES:

1. CONCRETE SHALL BE 560-C-3250.
2. SEE STANDARD DRAWING G-10 FOR JOINT DETAILS.
3. ADJUST 15' INTERVAL BETWEEN TRANSVERSE JOINTS TO MATCH ADJACENT EXISTING IMPROVEMENTS.

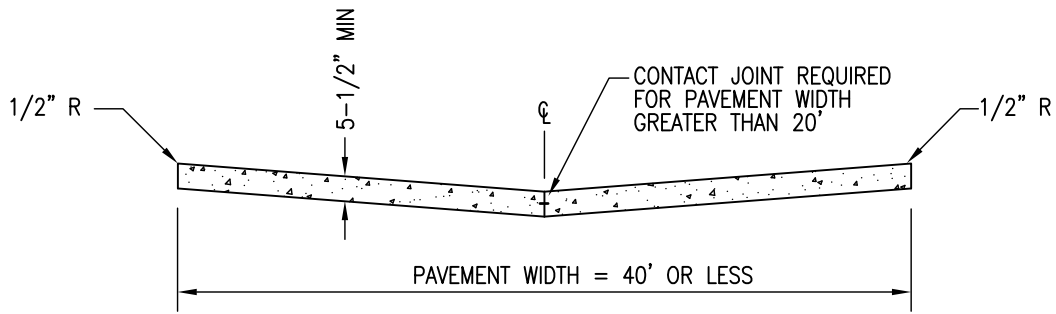
Revision	By	Approved	Date	SAN DIEGO REGIONAL STANDARD DRAWING		RECOMMENDED BY THE SAN DIEGO REGIONAL STANDARDS COMMITTEE
ORIGINAL		KERCHEVAL	12/75	CONCRETE PAVEMENT WIDTH 42' TO 62'		 03/24/2022 Chairperson R.C.E. 52241 Date
UPDATED	MR	MR/CV	03/12			
UPDATED	CV	CV	12/15			
Reviewed	RP	S. Engeda	03/22			
				DRAWING NUMBER G-19		



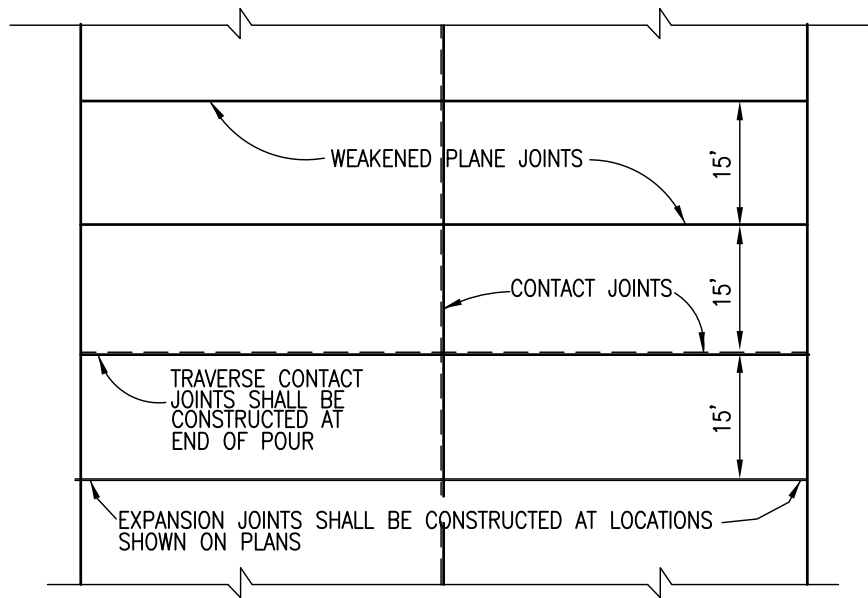
NOTES:

1. CONCRETE SHALL BE 560-C-3250.
2. SEE STANDARD DRAWING G-10 FOR JOINT DETAILS.
3. ADJUST 15' INTERVAL BETWEEN TRANSVERSE JOINTS TO MATCH ADJACENT EXISTING IMPROVEMENTS.

Revision	By	Approved	Date	SAN DIEGO REGIONAL STANDARD DRAWING	RECOMMENDED BY THE SAN DIEGO REGIONAL STANDARDS COMMITTEE	
ORIGINAL		KERCHEVAL	12/75		CONCRETE PAVEMENT, ALLEY SECTION WIDTH 52' TO 72'	<i>Samantha Engeda</i> 03/24/2022
UPDATED	MR	MR/CV	03/12	Chairperson R.C.E. 52241 Date		
UPDATED	CV	CV	12/15	DRAWING NUMBER		G-20
Reviewed	RP	S. Engeda	03/22			



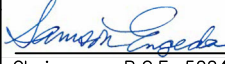
SECTION

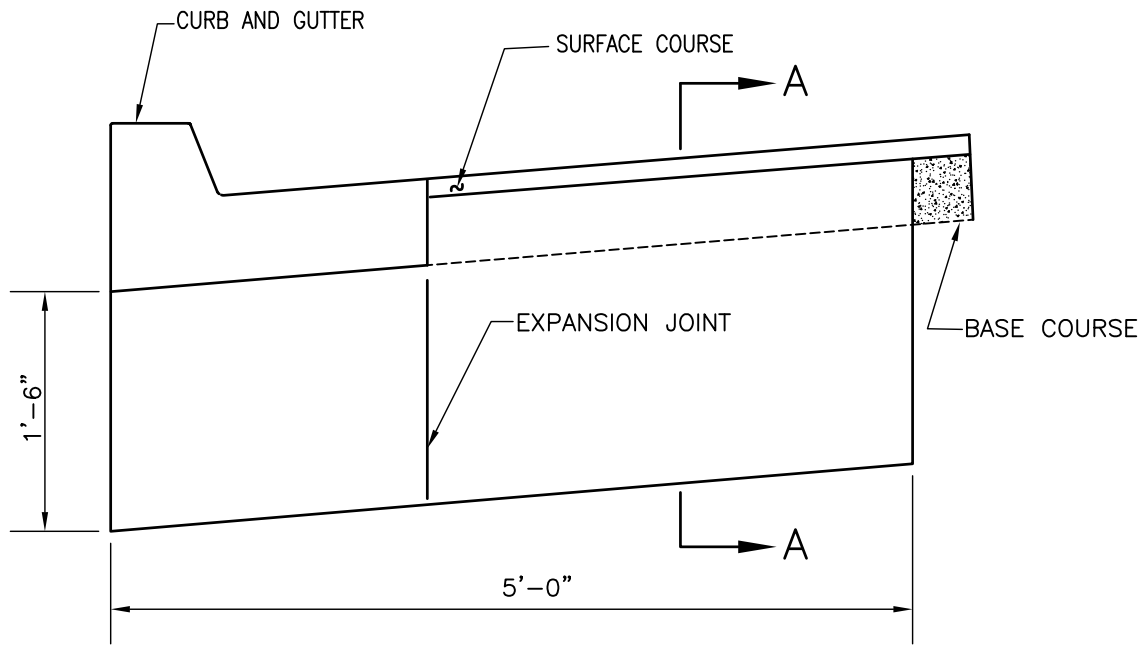


PLAN

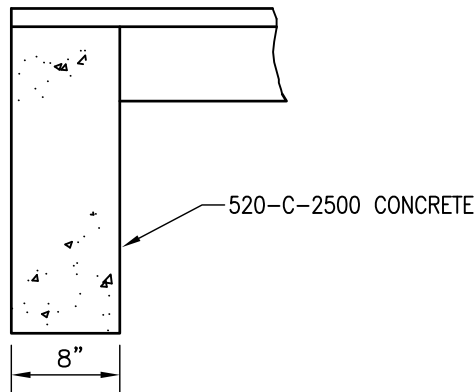
NOTES:

1. CONCRETE SHALL BE 560-C-3250.
2. SEE STANDARD DRAWING G-10 FOR JOINT DETAILS.
3. ADJUST 15' INTERVAL BETWEEN TRANSVERSE JOINTS TO MATCH ADJACENT EXISTING IMPROVEMENTS.

Revision	By	Approved	Date	SAN DIEGO REGIONAL STANDARD DRAWING		RECOMMENDED BY THE SAN DIEGO REGIONAL STANDARDS COMMITTEE
ORIGINAL		KERCHEVAL	12/75	CONCRETE PAVEMENT ALLEY SECTION, WIDTH 40' OR LESS		 03/24/2022 Chairperson R.C.E. 52241 Date
UPDATED	MR	MR/CV	03/12			
UPDATED	CV	CV	12/15			
Reviewed	RP	S. Engeda	03/22			
				DRAWING NUMBER		G-21



ELEVATION



SECTION A-A

LEGEND ON PLANS



Revision	By	Approved	Date
ORIGINAL		KERCHEVAL	12/75
UPDATED	MR	MR/CV	03/12
UPDATED	CV	CV	12/15
Reviewed	RP	S. Engeda	03/22

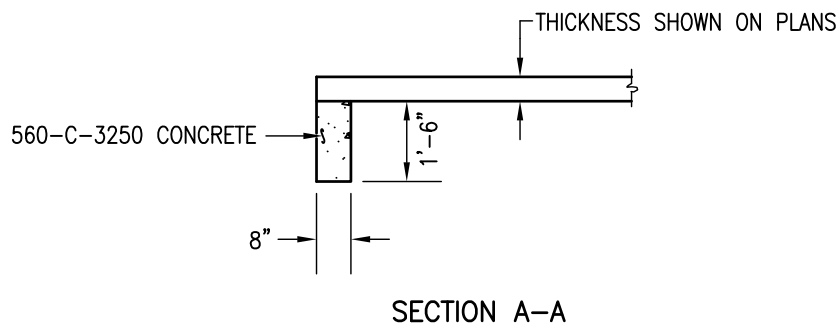
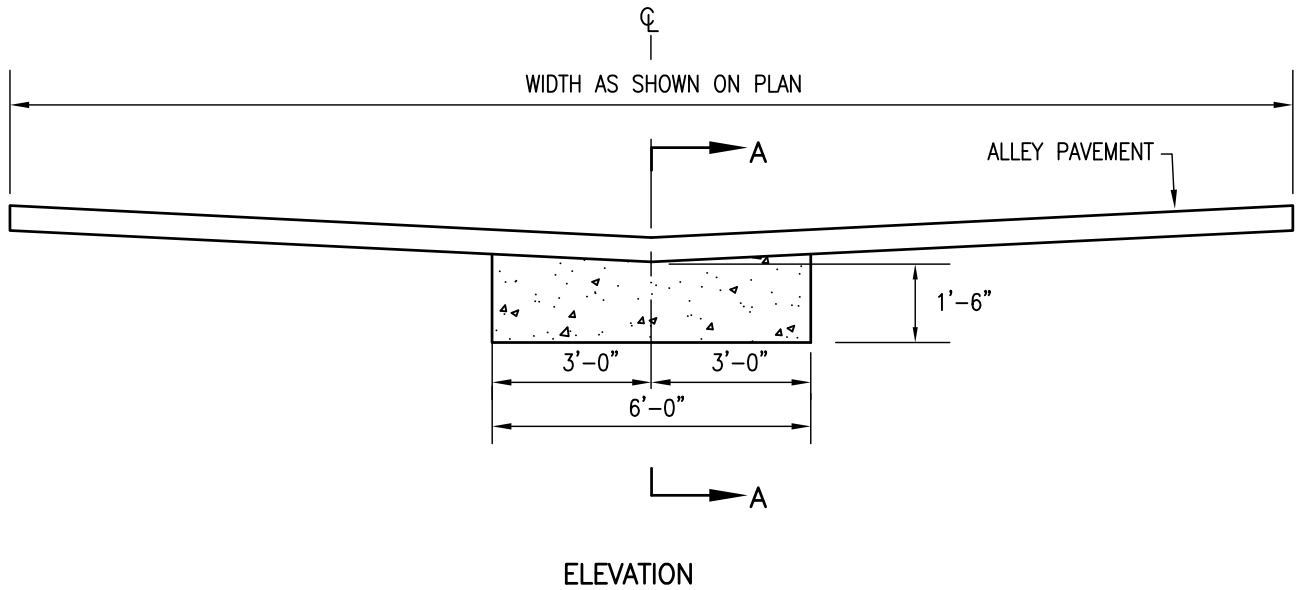
SAN DIEGO REGIONAL STANDARD DRAWING

RECOMMENDED BY THE SAN DIEGO REGIONAL STANDARDS COMMITTEE

**CUTOFF WALL
AT END OF PAVEMENT**

Somson Engeda 03/24/2022
Chairperson R.C.E. 52241 Date

DRAWING NUMBER **G-22**



LEGEND ON PLANS



Revision	By	Approved	Date
ORIGINAL		KERCHEVAL	12/75
UPDATED	MR	MR/CV	03/12
UPDATED	CV	CV	12/15
Reviewed	RP	S. Engeda	03/22

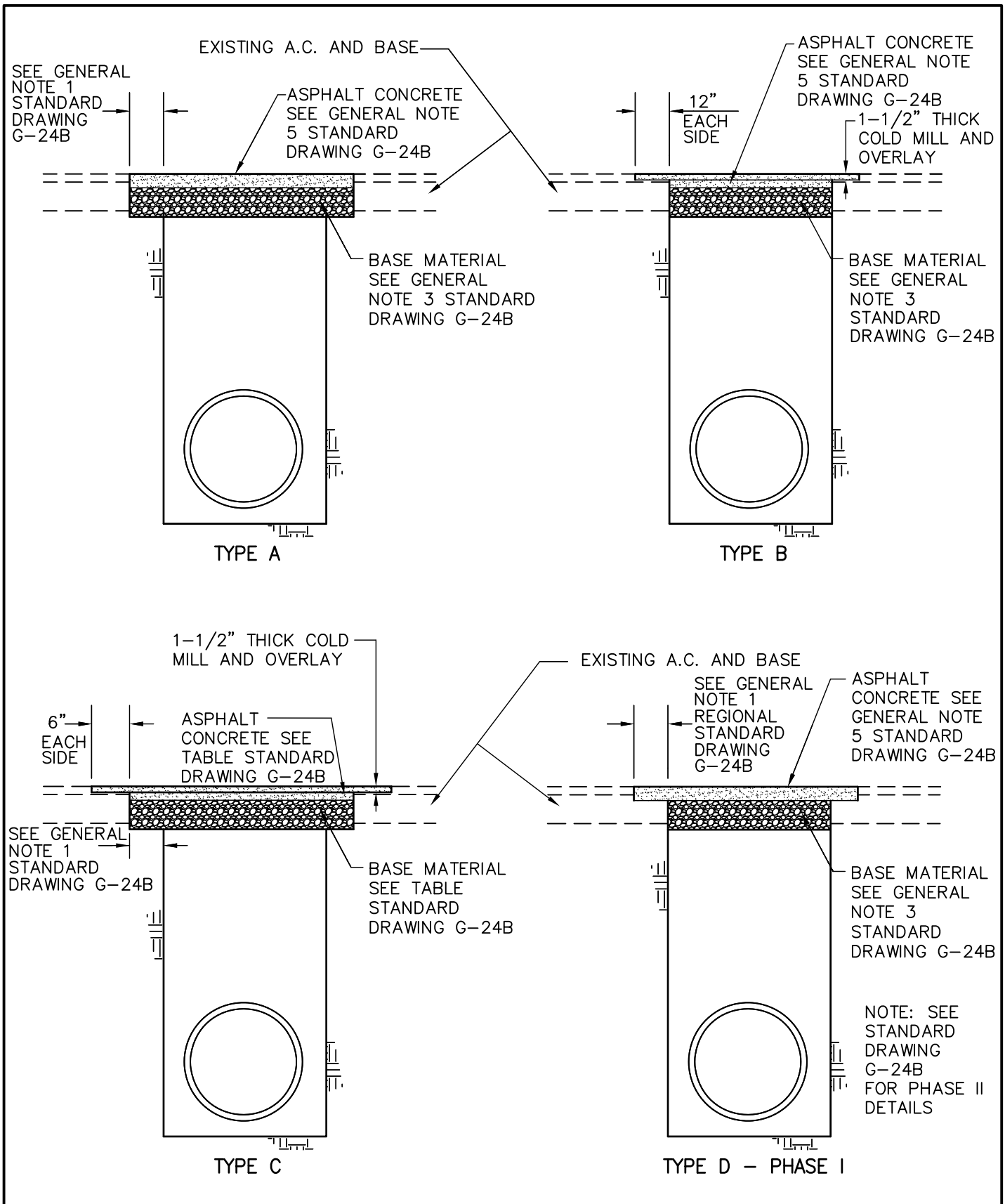
SAN DIEGO REGIONAL STANDARD DRAWING

CUTOFF WALL AT END OF ALLEY PAVEMENT

RECOMMENDED BY THE SAN DIEGO
REGIONAL STANDARDS COMMITTEE

Samantha Engeda 03/24/2022
Chairperson R.C.E. 52241 Date

DRAWING
NUMBER **G-23**



Revision	By	Approved	Date
ORIGINAL		PARKINSON	02/95
UPDATED	MR	MR/CV	03/12
REVIEWED	CV	CV	12/15
Reviewed	RP	S. Engeda	03/22

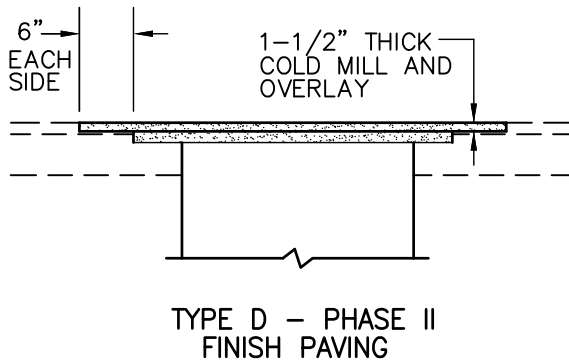
SAN DIEGO REGIONAL STANDARD DRAWING

**TRENCH RESURFACING
ASPHALT CONCRETE STREETS**

RECOMMENDED BY THE SAN DIEGO REGIONAL STANDARDS COMMITTEE

Somraj Engeda 03/24/2022
Chairperson R.C.E. 52241 Date

DRAWING NUMBER G-24A



TYPE C TRENCH		
	ASPHALT	ASPHALT PLUS BASE
MIX DESIGN	3/4" TYPE III CLASS B3	3/4" TYPE III CLASS B3 PLUS CLASS II BASE
ALLEYS	8.0"	ASPHALT THICKNESS TO EQUAL EXISTING PLUS 1", MIN 4" TO MAX 9" COMBINED ASPHALT PLUS BASE 18" MIN.
LOCAL - 4 LANE COLLECTOR	10.0"	
MAJOR OR GREATER	12.0"	

GENERAL NOTES:

- TRENCH EDGES TO BE SAWCUT A MINIMUM OF 6" WIDER THAN TRENCH FOR 3' WIDE OR LESS, AND 12" WIDER FOR TRENCHES OVER 3' WIDE ON EACH SIDE OF TRENCH, EXCEPT TYPE B.
- EXISTING A.C. SHALL BE SAWCUT AND REMOVED IN SUCH A MANNER SO AS NOT TO TEAR, BULGE, OR DISPLACE ADJACENT PAVEMENT. EDGES SHALL BE CLEAN AND VERTICAL. ALL CUTS SHALL BE PARALLEL OR PERPENDICULAR TO STREET CENTERLINE, WHEN PRACTICAL.
- BASE MATERIAL SHALL MATCH THE THICKNESS OF EXISTING BASE OR AS SHOWN ON PLAN. A.C. MAY BE SUBSTITUTED FOR BASE MATERIAL WITH PRIOR AGENCY APPROVAL. TYPE C - SEE TABLE.
- A TACK COAT OF ASPHALTIC EMULSION OR PAVING ASPHALT SHALL BE APPLIED TO EXISTING A.C. OR P.C.C. CONTACT SURFACES PRIOR TO RESURFACING.
- ASPHALT CONCRETE RESURFACING:
 - MINIMUM TOTAL THICKNESS SHALL BE ONE INCH GREATER THAN EXISTING A.C. OR AS SHOWN ON PLAN.
 - A.C. SHALL BE HOT PLANT MIX.
 - TYPE C - SEE TABLE.
- ALL A.C. RESURFACING SHALL BE SEAL COATED WITH AN EMULSIFIED ASPHALT AND COVERED WITH SAND. CHIP SEALING SHALL BE APPLIED AS REQUIRED BY AGENCY.
- PAVEMENT FABRIC SHALL BE INSTALLED WHEN REQUIRED BY AGENCY.

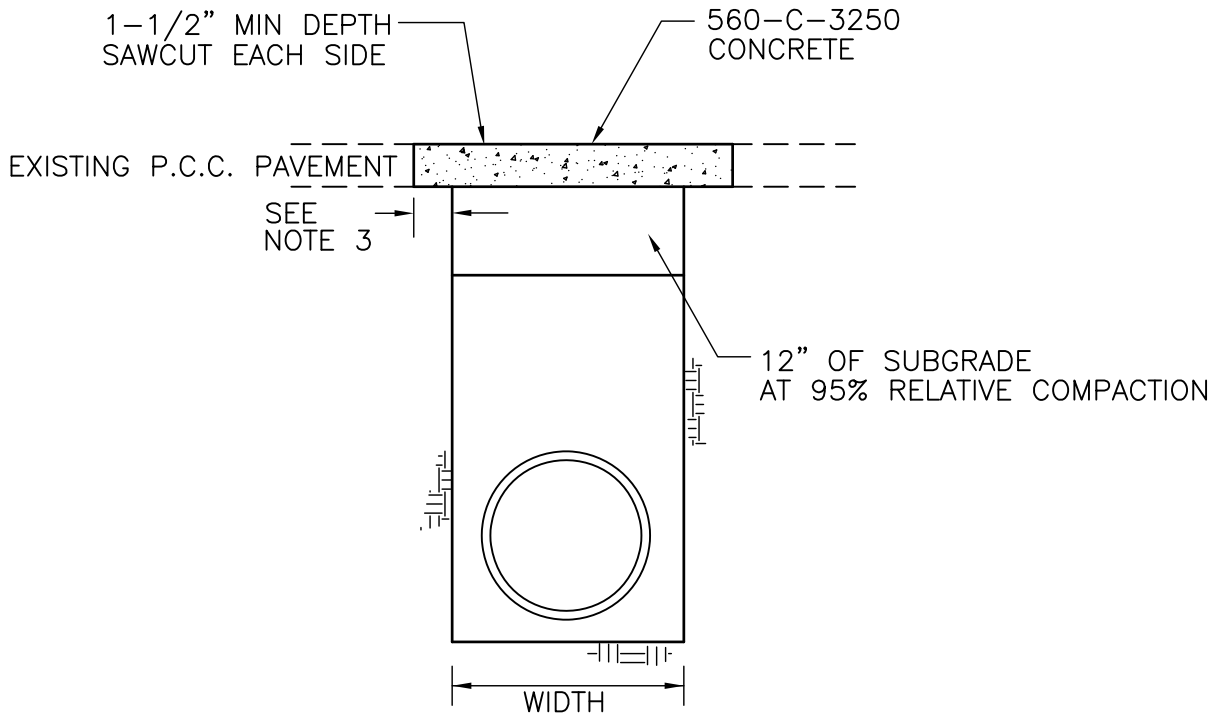
TYPE B & C NOTES:

- ASPHALT TRENCH CAPS IN STREETS NOT RECEIVING A FULL WIDTH OVERLAY PRIOR TO ACCEPTANCE SHALL BE BASE-PAVED TO MATCH EXISTING ADJACENT PAVEMENT SURFACE. NO LESS THAN 30 DAYS AFTER INITIAL ASPHALT PLACEMENT, TRENCH CAP SHALL BE MILLED AS SHOWN AND RESURFACED WITH 1/2" TYPE III CLASS C2 ASPHALT.
- UPON APPROVAL OF ALL PIPELINE TESTING AND TIE-INS FROM THE AGENCY, THE CONTRACTOR SHALL COLD MILL THE TRENCH REPAIR TO A DEPTH OF 1-1/2", ONE FOOT WIDER THAN THE TRENCH WIDTH ON BOTH SIDES. WHEN EDGE OF COLD MILL LINE IS WITHIN 18" OF ANY STRUCTURE, EDGE OF PAVEMENT, ADJACENT TRENCH, OR OTHER PAVING JOIN LINE, THE COLD MILL SHALL BE EXTENDED TO THE EXISTING STRUCTURE, JOIN LINE, OR EDGE OF PAVEMENT.
- ANY STREET TRENCH 7 FEET IN WIDTH OR GREATER AND LONGER THAN 100 FEET IN OVERALL LENGTH SHALL BE RECONSTRUCTED AS DIRECTED BY AGENCY.

TYPE D NOTES:

- ALL AREAS OF EXISTING AC LESS THAN 48" WIDE REMAINING AFTER TRENCHING SHALL BE COLD MILLED AND PAVED PER TYPE D - PHASE II FINISH PAVING DETAIL.
- PHASE II PAVING SHALL BE COMPLETED NOT EARLIER THAN 14 CALENDAR DAYS AND NOT LATER THAN 75 CALENDAR DAYS AFTER PHASE I PAVING.

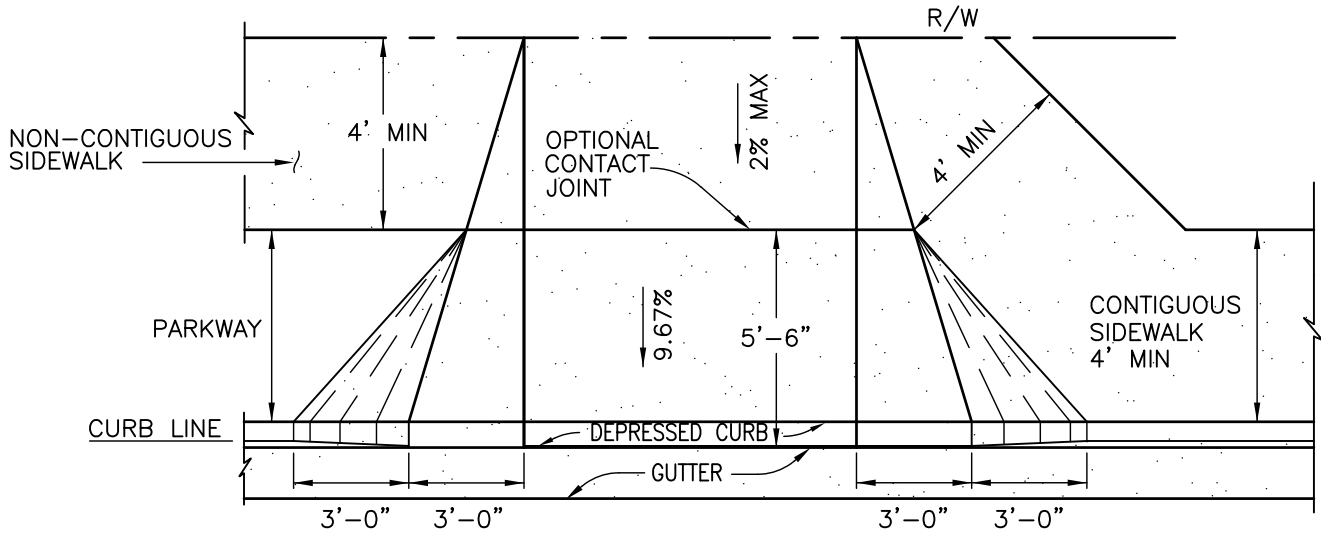
Revision	By	Approved	Date	SAN DIEGO REGIONAL STANDARD DRAWING	RECOMMENDED BY THE SAN DIEGO REGIONAL STANDARDS COMMITTEE	
ORIGINAL	MR	MR/CV	03/12		TRENCH RESURFACING NOTES AND DETAILS	<i>Samantha Engeda</i> 03/24/2022
REVIEWED	CV	CV	12/15	Chairperson R.C.E. 52241 Date		
Reviewed	RP	S. Engeda	03/22	DRAWING NUMBER		G-24B



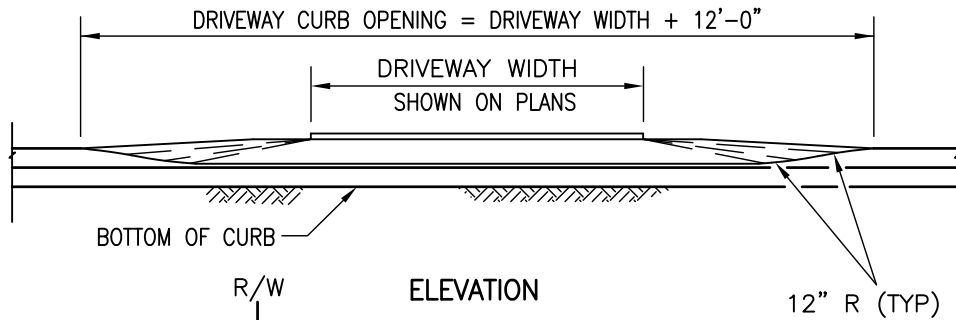
NOTES:

1. EXISTING CONCRETE PAVEMENT SHALL BE SAWCUT AND REMOVED. PRIOR TO PLACING CONCRETE, PAVEMENT EDGES SHALL BE TRIMMED TO NEAT HORIZONTAL AND VERTICAL LINES.
2. UNLESS OTHERWISE SPECIFIED, CONCRETE TRENCH COVER SHALL BE A MINIMUM OF 5-1/2" FOR ALLEYS, 7" FOR LOCAL THROUGH FOUR LANE COLLECTOR STREETS, AND 9" THICK FOR ALL MAJOR OR GREATER STREET CLASSIFICATIONS.
3. TRENCH EDGES TO BE CUT A MINIMUM OF 6" WIDER THAN TRENCH FOR 3' WIDE OR LESS AND 12" WIDER FOR TRENCHES OVER 3' WIDE, ON EACH SIDE OF TRENCH.
4. ANY STREET TRENCH 7' IN WIDTH OR GREATER AND LONGER THAN 100' IN LENGTH SHALL BE CONSTRUCTED WITH THE PAVEMENT SECTION PER PLAN OR LOCAL AGENCY REQUIREMENT. STREET TRENCH SECTIONS 7' IN WIDTH OR GREATER BUT LESS THAN 100' IN OVERALL LENGTH SHALL BE SURFACED TO A THICKNESS OF 1" GREATER THAN REQUIRED BY NOTE 2 OR AS INDICATED ON PLAN.
5. IN FOUR-LANE MAJOR OR GREATER STREETS, AN APPROVED SET ACCELERATING ADMIXTURE SUCH AS CALCIUM CHLORIDE SHALL BE USED IN CONCRETE.

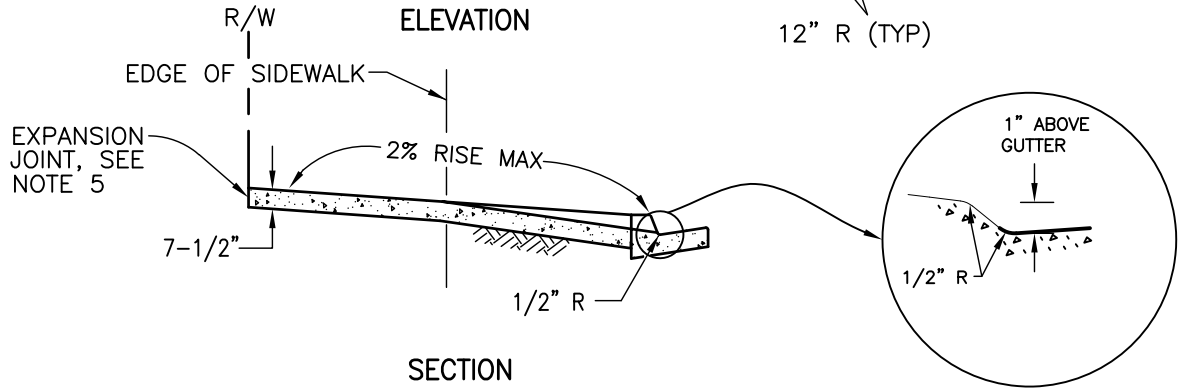
Revision	By	Approved	Date	SAN DIEGO REGIONAL STANDARD DRAWING	RECOMMENDED BY THE SAN DIEGO REGIONAL STANDARDS COMMITTEE	
ORIGINAL		PARKINSON	02/95			
UPDATED	MR	MR/CV	03/12	TRENCH RESURFACING PCC SURFACED STREETS	<i>Samson Engeda</i> 03/24/2022	
REVIEWED	CV	CV	12/15		Chairperson R.C.E. 52241 Date	
Reviewd	RP	S. Engeda	03/22		DRAWING NUMBER	G-25



PLAN



ELEVATION



SECTION

NOTES:

1. NO CONCRETE SHALL BE PLACED UNTIL FORMS AND SUBGRADE ARE APPROVED BY THE AGENCY.
2. CONCRETE SHALL BE 560-C-3250.
3. SEE STANDARD DRAWINGS G-15 AND G-16 FOR WIDTH AND LOCATION REQUIREMENTS.
4. DRIVEWAY RAMP TO EXTEND TO 10' FROM CURB FACE OR TO PROPERTY LINE WHICHEVER IS LESS. (FOR COMMERCIAL DRIVEWAYS ONLY)
5. PLACE EXPANSION JOINT AT R/W OR 10', WHICHEVER IS LESS.
6. SEE STANDARD DRAWINGS G-2 AND G-10 FOR CURB AND JOINT DETAILS.
7. DIMENSIONS REFLECT A 6' CURB HEIGHT.

Revision	By	Approved	Date
ORIGINAL		H. HECHT	10/82
UPDATED	MR	MR/CV	03/12
UPDATED	CV	CV	12/15
Reviewed	RP	S. Engeda	03/22

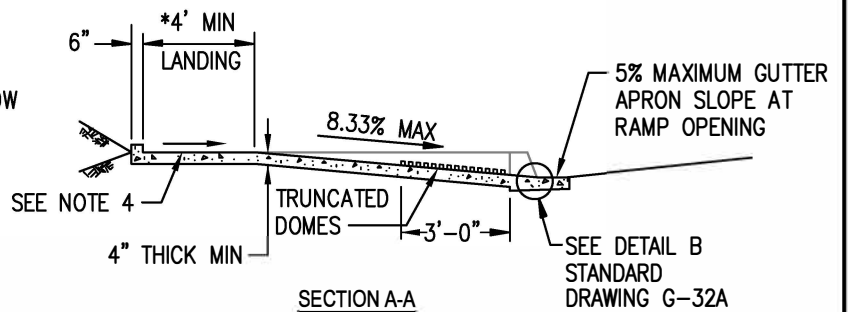
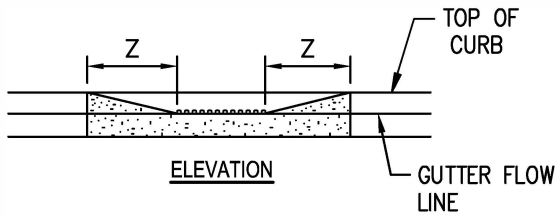
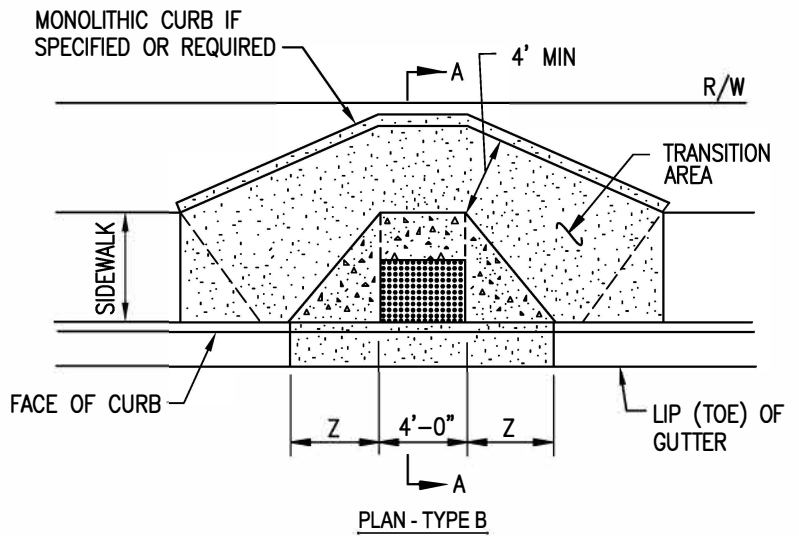
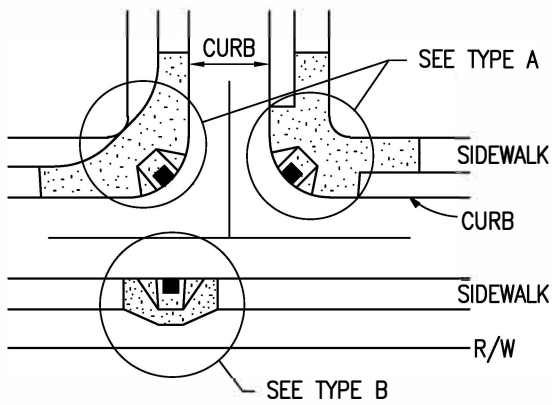
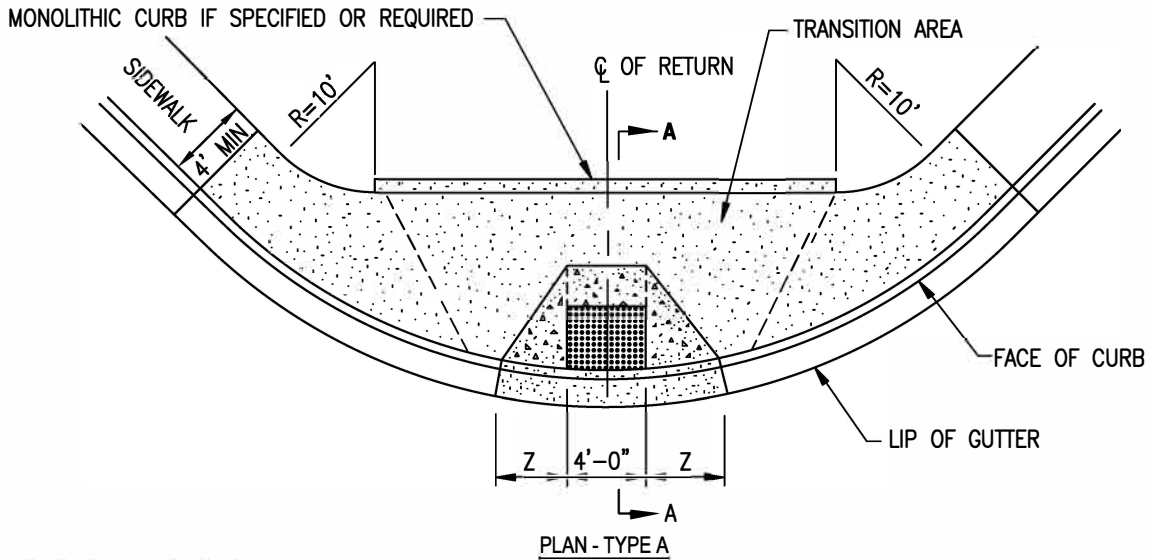
SAN DIEGO REGIONAL STANDARD DRAWING

**CONCRETE DRIVEWAY
COMMERCIAL ALTERNATE**


RECOMMENDED BY THE SAN DIEGO REGIONAL STANDARDS COMMITTEE

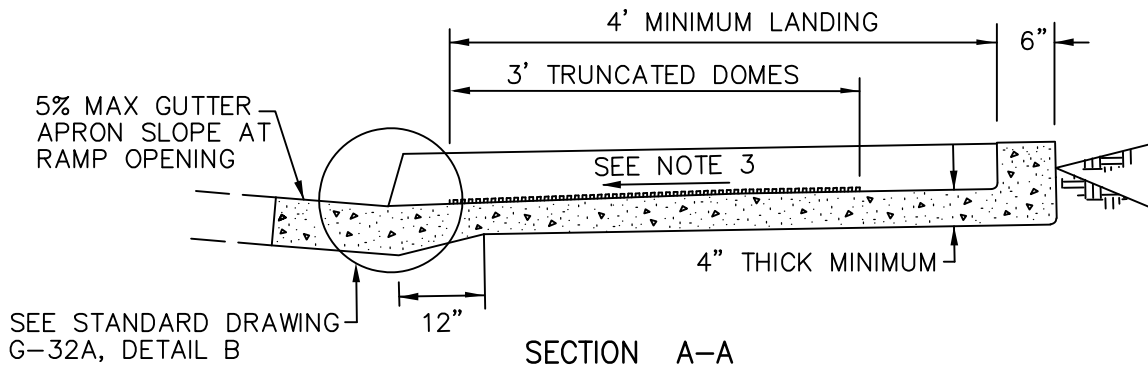
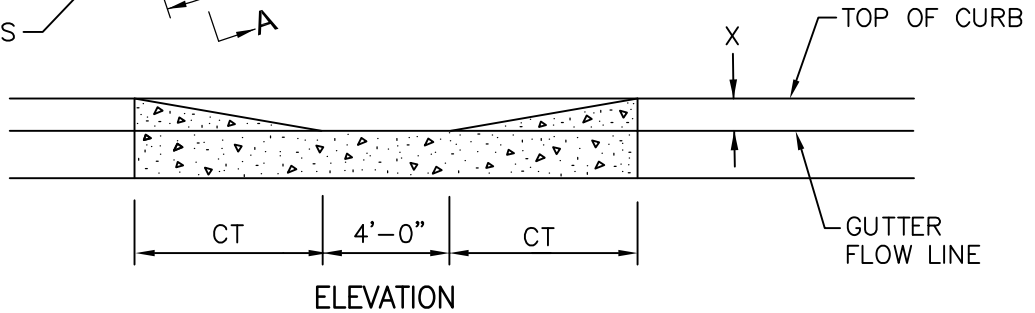
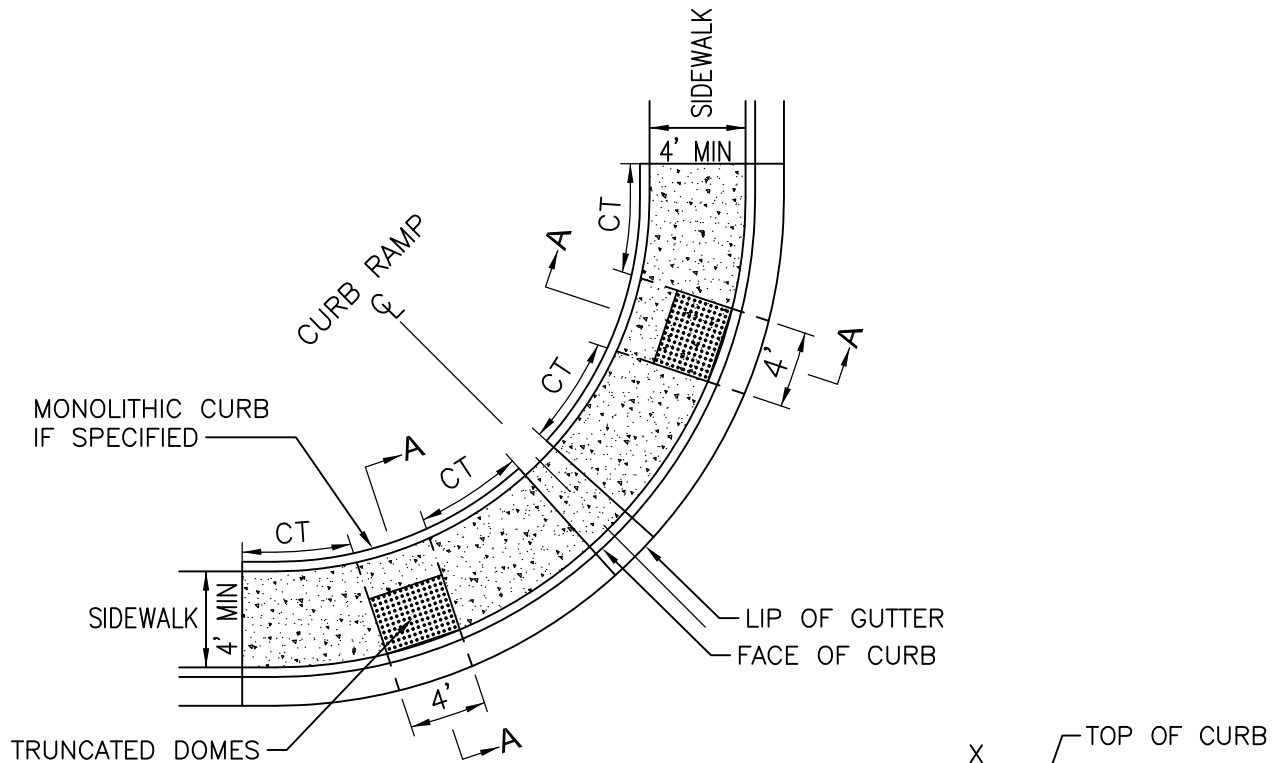
Samantha Engeda 03/24/2022
Chairperson R.C.E. 52241 Date

DRAWING NUMBER **G-26**




- NOTES:
1. SEE STANDARD DRAWING G-32A FOR GENERAL NOTES.
 2. FOR TRUNCATED DOMES DETAILS, SEE STANDARD DRAWING G-30.
 3. Z SIDE SLOPES SHALL BE 1:10 OR 15' MAX.
 4. LANDING CROSS SLOPE SHALL BE 2.0% MAX IN BOTH DIRECTIONS.
 5. *LANDING MAY BE REDUCED TO 3' MIN IF INFEASIBLE BUT Z SIDE SLOPES SHALL BE 1:12 MAX OR 15' MAX.

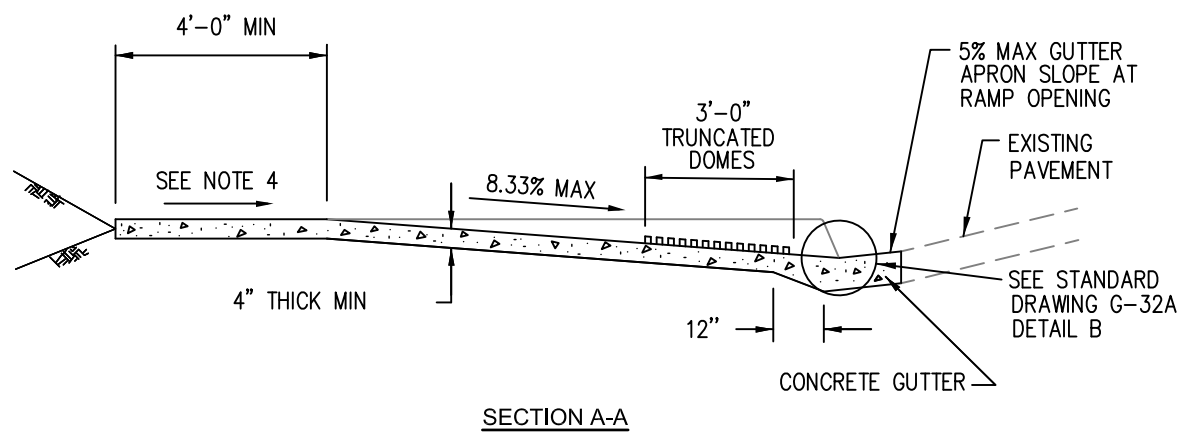
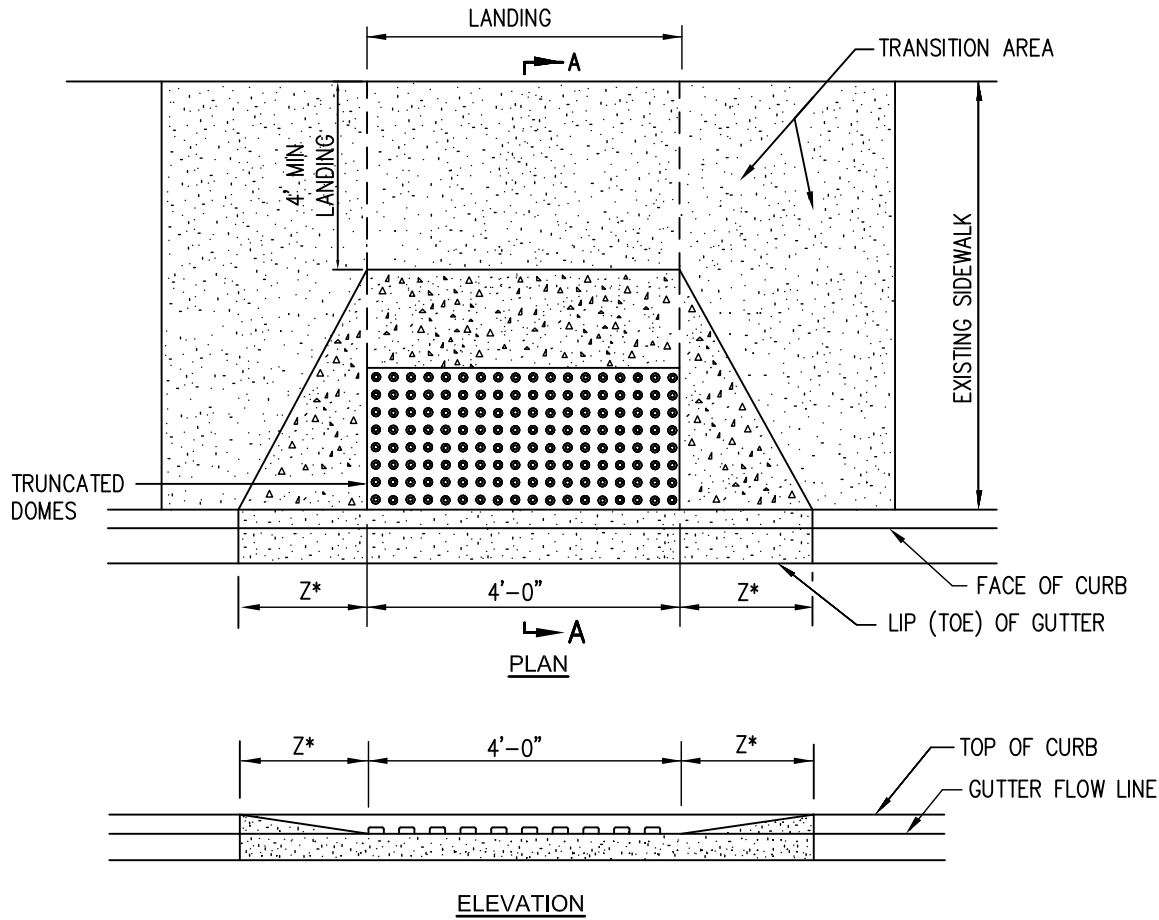
Revision	By	Approved	Date	SAN DIEGO REGIONAL STANDARD DRAWING		RECOMMENDED BY THE SAN DIEGO REGIONAL STANDARDS COMMITTEE
ORIGINAL		BAHMANIAN	04/86	CURB RAMP - TYPES A AND B (NEW CONSTRUCTION)		 Chairperson R.C.E. 52241 Date 03/24/2022
UPDATE		K.EQUIPADO	12/22			
				DRAWING NUMBER		G-27A



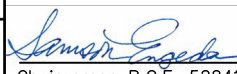
NOTES:

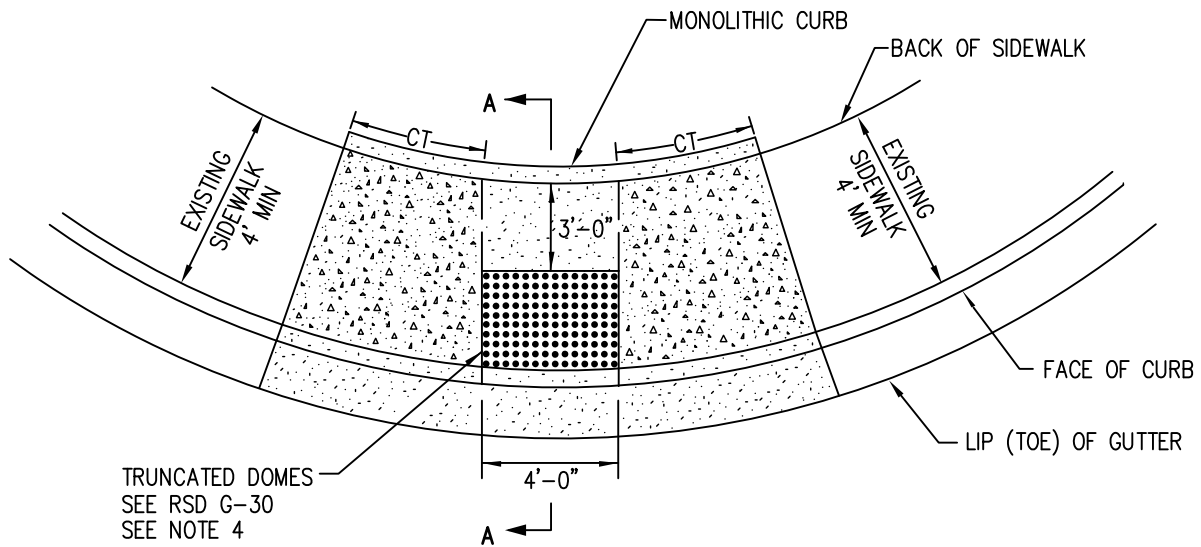
1. TYPE C ARE ONLY TO BE USED TO MITIGATE EXISTING CONDITIONS WHERE INADEQUATE RIGHT OF WAY EXISTS. TYPE C RAMP IS NOT TO BE USED IN NEW CONSTRUCTION, UNLESS APPROVED BY AGENCY.
2. SEE STANDARD DRAWING G-32A FOR GENERAL NOTES.
3. LANDING CROSS SLOPE SHALL BE 2.0% MAX IN BOTH DIRECTIONS.
4. FOR TRUNCATED DOMES, SEE STANDARD DRAWING G-30.
5. CT (CURB TRANSITION) SHALL BE 10:1

Revision	By	Approved	Date	SAN DIEGO REGIONAL STANDARD DRAWING	
ORIGINAL	KE	S. Engeda	03/22		
				DUAL RAMP - TYPE C	
				RECOMMENDED BY THE SAN DIEGO REGIONAL STANDARDS COMMITTEE  03/24/2022 Chairperson R.C.E. 52241 Date	
				DRAWING NUMBER G-27B	

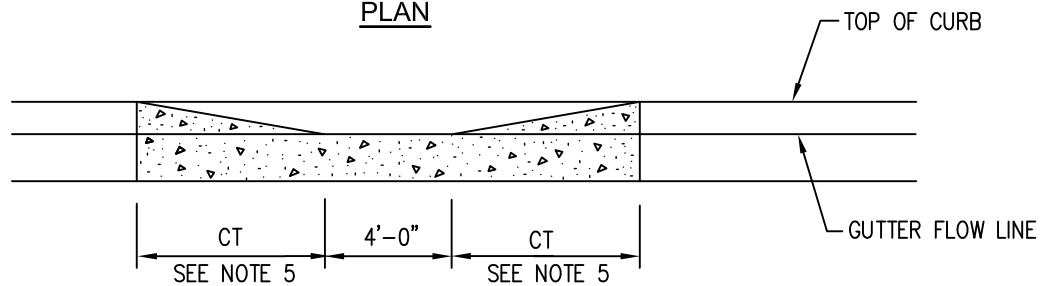


- NOTES:**
1. SEE STANDARD DRAWING G-32A FOR GENERAL NOTES.
 2. TYPE A-1 IS A DESIGNATION FOR RAMP AT CURB RETURN.
 3. TYPE B-1 IS A DESIGNATION FOR RAMP AT STRAIGHT CURB (SHOWN ABOVE).
 4. LANDING CROSS SLOPE SHALL BE 2.0% MAX IN BOTH DIRECTIONS.
 5. FOR TRUNCATED DOMES DETAIL, SEE STANDARD DRAWING G-30.
 6. Z SIDE SLOPE SHALL BE 10:1 OR 15' MAX

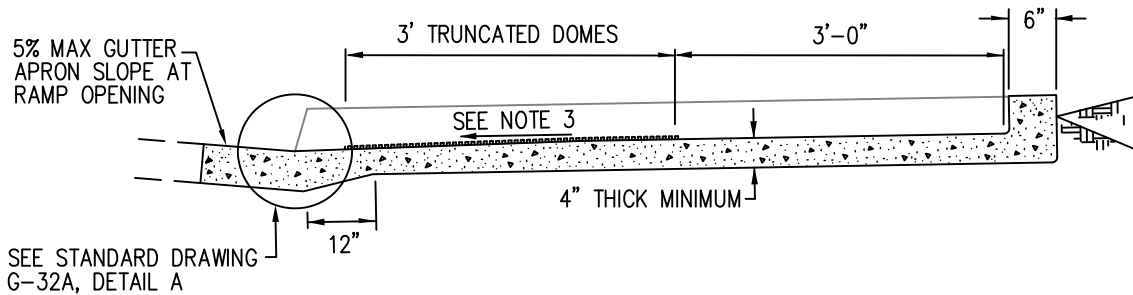
Revision	By	Approved	Date	SAN DIEGO REGIONAL STANDARD DRAWING	RECOMMENDED BY THE SAN DIEGO REGIONAL STANDARDS COMMITTEE	
ORIGINAL		BAHMANIAN	02/95		CURB RAMP - TYPES A-1 AND B-1 (FOR EXISTING SIDEWALK)	 03/24/2022 Chairperson R.C.E. 52241 Date
UPDATED		K.EQUIPADO	02/22			
				DRAWING NUMBER		G-28



PLAN



ELEVATION



SECTION A-A

NOTES:

1. TYPE C ARE ONLY TO BE USED TO MITIGATE EXISTING CONDITIONS WHERE INADEQUATE RIGHT OF WAY EXISTS. TYPE C RAMP IS NOT TO BE USED IN NEW CONSTRUCTION, UNLESS APPROVED BY AGENCY.
2. SEE STANDARD DRAWING G-32A FOR GENERAL NOTES.
3. LANDING CROSS SLOPE SHALL BE 2.0% MAX IN BOTH DIRECTIONS.
4. IF INFEASIBLE TO ACHIEVE 6' WIDE RAMP, TRUNCATED DOMES MAY BE REDUCED TO 2'X4'.
5. CT (CURB TRANSITION) SHALL BE 8.33% MAX OR 15' MAX.

Revision	By	Approved	Date
ORIGINAL		R. MUNOZ	05/97
UPDATED		K.EQUIPADO	03/22

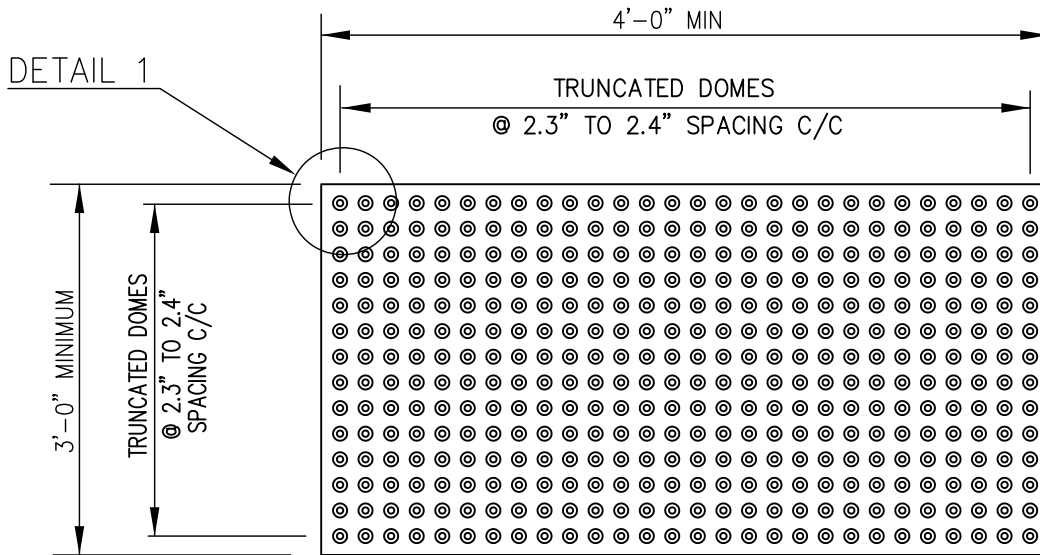
SAN DIEGO REGIONAL STANDARD DRAWING

**CURB RAMP - TYPE C
(FOR EXISTING SIDEWALK)**

RECOMMENDED BY THE SAN DIEGO REGIONAL STANDARDS COMMITTEE

Samaira Engeda 03/24/2022
Chairperson R.C.E. 52241 Date

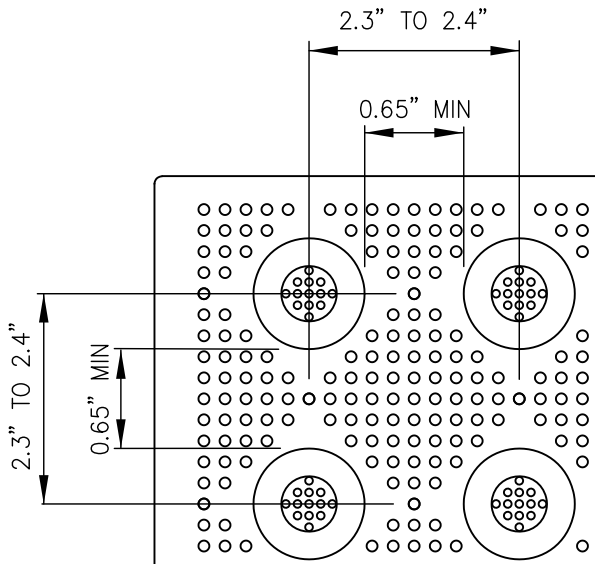
DRAWING NUMBER **G-29**



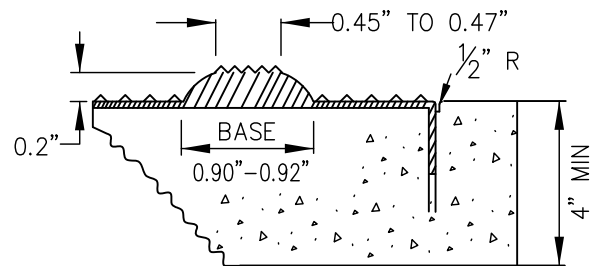
PLAN - TILE
NOT TO SCALE

NOTES

1. DETECTABLE WARNING SURFACE COLOR SHALL BE YELLOW AND APPROXIMATE 33538 OF SAE AMSSTD-595A OR AS SPECIFIED BY THE AGENCY. COLOR SHALL BE HOMOGENEOUS THROUGHOUT THE TILE.



DETAIL 1
NOT TO SCALE



Revision	By	Approved	Date
ORIGINAL		PARKINSON	02/95
Updated		K.EQUIPADO	03/22

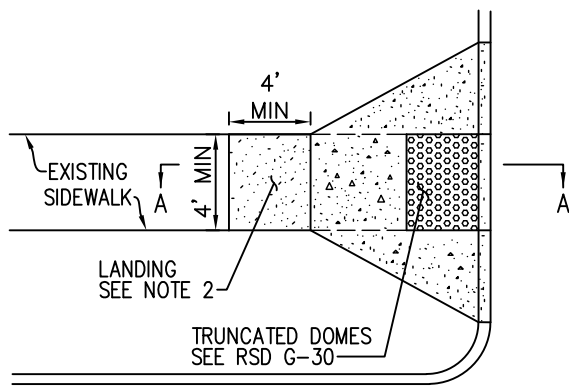
SAN DIEGO REGIONAL STANDARD DRAWING

RECOMMENDED BY THE SAN DIEGO REGIONAL STANDARDS COMMITTEE

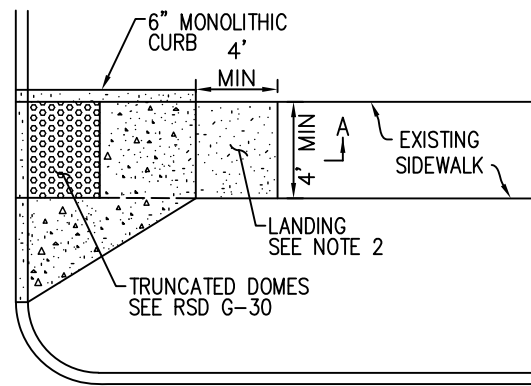
Samantha Engeda 03/24/2022
Chairperson R.C.E. 52241 Date

TRUNCATED DOMES

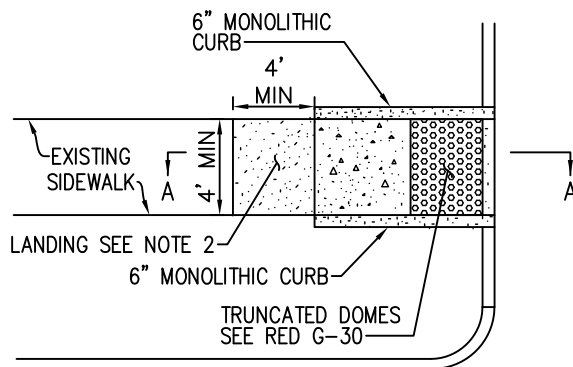
DRAWING NUMBER **G-30**



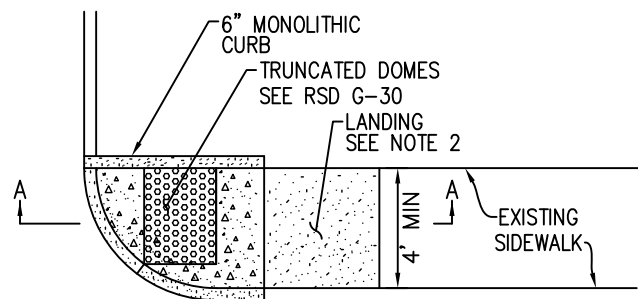
D-1



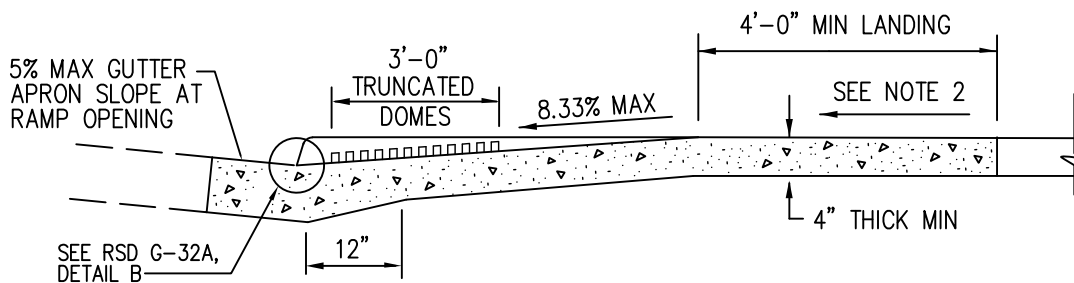
D-2



D-3



D-4



SECTION A-A

NOTES

1. SEE STANDARD DRAWING G-32A FOR GENERAL NOTES.
2. IF THE ONLY CONNECTING SIDEWALK RUNS PARALLEL TO THE RAMP RUN, LANDING MAX SLOPE IS 5%. IF THERE'S A CONNECTING PERPENDICULAR SIDEWALK, LANDING MAX SLOPE IS 2% ALL AROUND.
3. FLARES MUST HAVE 10% MAX SLOPE OR 15' MAX LENGTH.

Revision	By	Approved	Date
ORIGINAL		PARKINSON	02/95
UPDATE		K.EQUIPADO	12/22

SAN DIEGO REGIONAL STANDARD DRAWING

RECOMMENDED BY THE SAN DIEGO REGIONAL STANDARDS COMMITTEE

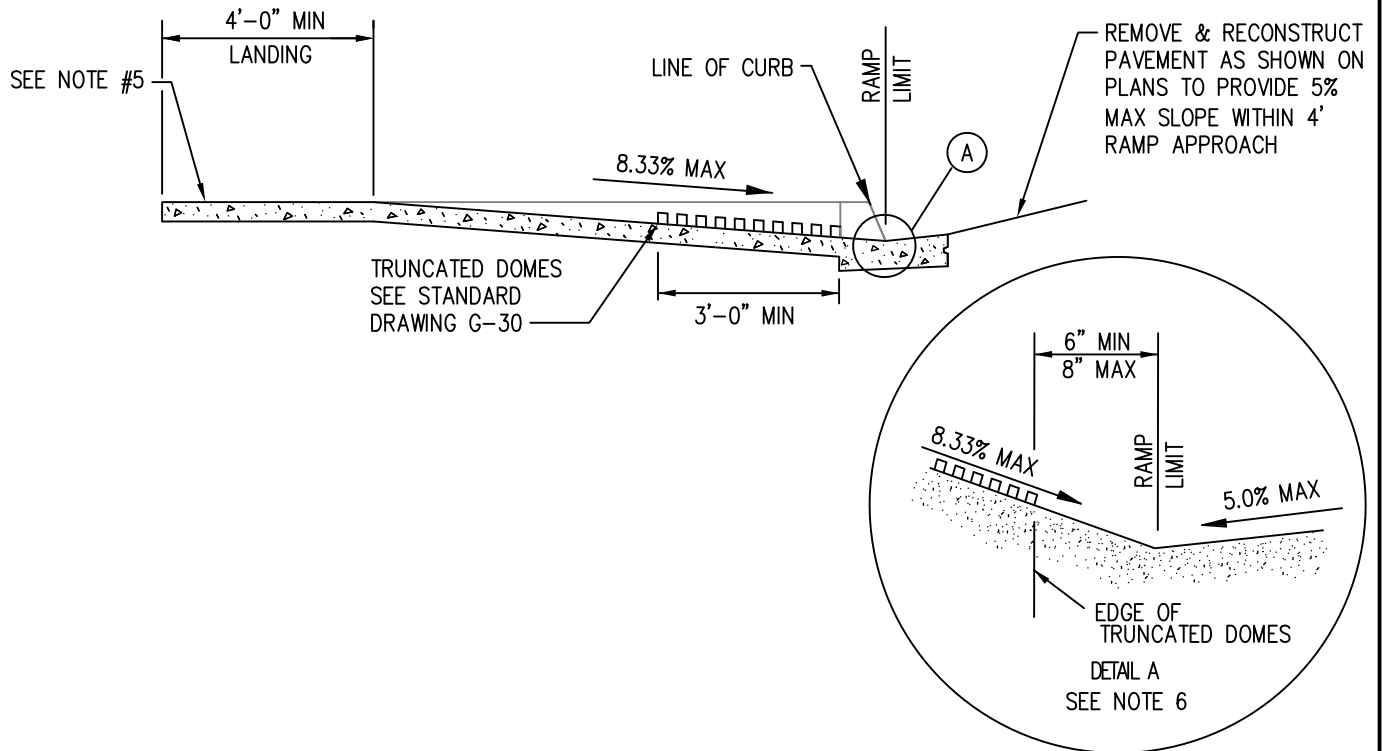
Somesh Ingada 03/24/2022

Chairperson R.C.E. 52241 Date

CURB RAMP - TYPE D

DRAWING NUMBER

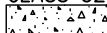
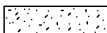
G-31



ADA COMPLIANCE NOTES

1. THE REGIONAL STANDARD DRAWING 2022 COMPLIES TO THE CALIFORNIA BUILDING CODE 2022 CHAPTER 11B ACCESSIBILITY TO PUBLIC BUILDINGS, PUBLIC ACCOMMODATIONS, COMMERCIAL BUILDINGS AND PUBLIC HOUSING.
2. AN AGENCY CAN FILE A PETITION OR APPEAL THROUGH DGS IF THEY PLAN TO DEVIATE FROM THE CBC.
 TO FILE A PETITION: [HTTPS://WWW.DOCUMENTS.DGS.CA.GOV/DGS/FMC/GS/BSC30.PDF](https://www.documents.dgs.ca.gov/DGS/FMC/GS/BSC30.PDF)
 TO FILE AN APPEAL: [HTTPS://WWW.DOCUMENTS.DGS.CA.GOV/DGS/FMC/GS/BSC33.PDF](https://www.documents.dgs.ca.gov/DGS/FMC/GS/BSC33.PDF)

NOTES

1. THE REMOVAL OF EXISTING CONCRETE CURB, GUTTER, SIDEWALK, AND PAVEMENT FOR PEDESTRIAN RAMP INSTALLATION SHALL COMPLY WITH STANDARD DRAWING G-11. FOR CONSTRUCTION OF CURB RAMPS ON EXISTING SIDEWALKS, REMOVAL OF ADDITIONAL SIDEWALK MAY BE REQUIRED TO COMPLY WITH ADA REQUIREMENTS TO MEET EXISTING GRADE.
2. CONCRETE SHALL BE CLASS 520-C-2500.
3. AREAS SHOWN THUS:  SHALL HAVE A MEDIUM TO HEAVY BROOM TEXTURE FINISH, PERPENDICULAR TO THE AXIS OF THE RAMP. AREAS SHOWN THUS:  ARE THE MINIMUM REQUIRED FOR A COMPLETE RAMP INSTALLATION.
4. IF OBSTRUCTIONS SUCH AS INLETS, UTILITY POLES, FIRE HYDRANTS, ETC., ARE ENCOUNTERED, THE RAMP LOCATIONS MAY BE ADJUSTED UPON THE APPROVAL OF THE AGENCY.
5. LANDING CROSS SLOPE SHALL BE 2.0% MAX IN BOTH DIRECTIONS.
6. EDGE OF TRUNCATED DOME PANEL SHALL BE LOCATED 6" MINIMUM AND 8" MAXIMUM FROM THE GUTTER FLOWLINE.


Revision	By	Approved	Date	SAN DIEGO REGIONAL STANDARD DRAWING		RECOMMENDED BY THE SAN DIEGO REGIONAL STANDARDS COMMITTEE			
ORIGINAL		PARKINSON	02/95			GENERAL NOTES FOR CURB RAMPS		 03/24/2022	
UPDATE		K.EQUIPADO	03/22	Chairperson R.C.E. 52241 Date					
				DRAWING NUMBER				G-32A	

TABLE A			
	Y	Z	CT
CURB HEIGHT	RAMP LENGTH (12:1)	SIDE SLOPE (10:1)	CURB TRANS.
1"	1'-0"	1'-6"	0'-0"
2"	2'-0"	1'-8"	0'-0"
3"	3'-0"	2'-6"	0'-0"
4"	4'-0"	3'-4"	0'-0"
5"	5'-0"	4'-2"	0'-0"
6"	6'-0"	5'-0"	0'-0"
7"	7'-0"	5'-10"	0'-0"
8"	8'-0"	6'-8"	2'-0"

TYPE A AND B CURB RAMPS

TABLE B			
X	Y	Z	Z1
CURB HEIGHT	RAMP LENGTH (12:1)	SIDE SLOPE (10:1)	SIDE SLOPE (12:1)
1"	1'-0"	1'-6"	1'-0"
2"	2'-0"	1'-8"	2'-0"
3"	3'-0"	2'-6"	3'-0"
4"	4'-0"	3'-4"	4'-0"
5"	5'-0"	4'-2"	5'-0"
6"	6'-0"	5'-0"	6'-0"
7"	7'-0"	5'-10"	7'-0"
8"	8'-0"	6'-8"	8'-0"

TYPE A-1 AND B-1 CURB RAMPS

TABLE C	
X	CT
CURB HEIGHT	CURB TRANS. (12:1)
4"	4'-0"
5"	5'-0"
6"	6'-0"
7"	7'-0"
8"	8'-0"
9"	9'-0"
10"	10'-0"
11"	11'-0"
12"	12'-0"
13"	13'-0"

TYPE C CURB RAMP

NOTE

1. DIMENSIONS X, Y, Z, Z1, AND CT MAY BE DETERMINED BY USING THE TABLES ON THIS SHEET WITH PRIOR AGENCY APPROVAL. WITHOUT AGENCY APPROVAL, DIMENSIONS SHOULD NOT EXCEED THE MAXIMUM SLOPE OR RATIO PROVIDED.
2. Z* REFERS TO Z OR Z1 IN TABLE B. Z SIDE SLOPE SHALL BE 10:1, EXCEPT PER NOTE 3.
3. FOR TYPE A-1 AND B-1 CURB RAMPS, WHERE A 4' LANDING CANNOT BE CONSTRUCTED DUE TO INADEQUATE RIGHT OF WAY, A 3' MINIMUM LANDING IS ACCEPTABLE WITH PRIOR AGENCY APPROVAL AND PROVIDED THE SIDE SLOPES ARE REVISED TO 12:1 PER SIDE SLOPE Z1 IN TABLE B.

Revision	By	Approved	Date
ORIGINAL	MR	MR/CV	03/12
DELETED	KE	K.EQUIPADO	03/22

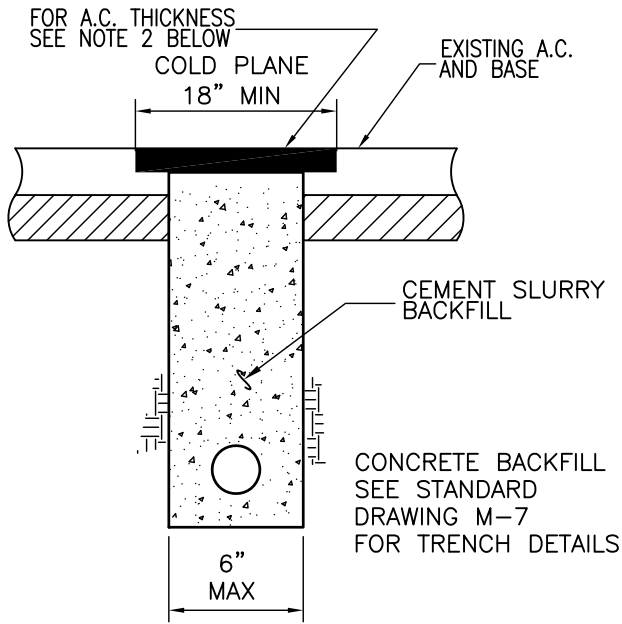
SAN DIEGO REGIONAL STANDARD DRAWING

NOTES FOR CURB RAMPS

RECOMMENDED BY THE SAN DIEGO REGIONAL STANDARDS COMMITTEE

Sandra Engeda 03/24/2022
 Chairperson R.C.E. 52241 Date

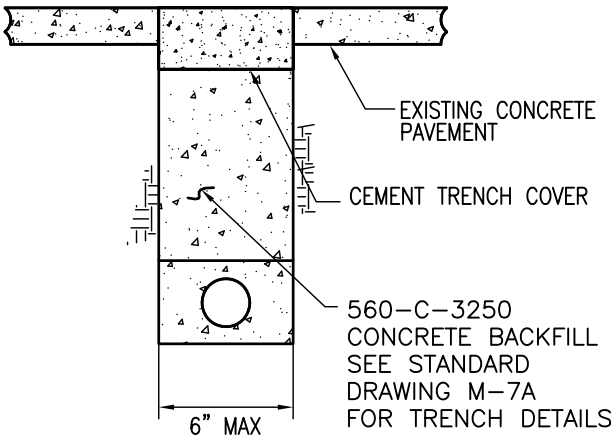
DRAWING NUMBER **G-32B**



TYPE B

NOTES

1. A TACK COAT SHALL BE APPLIED TO THE CEMENT SLURRY BACKFILL AND EXISTING ASPHALT PAVEMENT PRIOR TO PLACING THE NEW ASPHALT SURFACE.
2. ASPHALTIC CONCRETE RESURFACING:
 - A. ALLOW CEMENT SLURRY BACKFILL SEVEN DAYS MINIMUM TO CURE BEFORE COLD PLANING.
 - B. THICKNESS OF ASPHALTIC CONCRETE SHALL BE A MINIMUM OF 2" OR AS SPECIFIED BY THE AGENCY'S ENGINEER.
 - C. A.C. SHALL BE HOT MIX.
3. A.C. SHALL BE SEALED OR CHIP SEALED WHEN REQUIRED BY THE AGENCY'S ENGINEER.



TYPE C

NOTES

1. CONCRETE SHALL BE SCREEDED OFF TO MATCH EXISTING PAVEMENT GRADE AND FLOATED TO ASSURE PROPER EDGE MATCH.
2. CONCRETE TRENCH COVER SHALL BE A MINIMUM OF 5-1/2" THICK IN ALLEY OR LOCAL RESIDENTIAL STREETS AND 7" THICK IN OTHER STREETS.
3. EXISTING CONCRETE PAVEMENT WILL REQUIRE SAWCUTTING WHEN USING ROCKWHEEL FOR EXCAVATION.
4. IN MAJOR OR PRIME ARTERIAL STREETS, AN APPROVED SET ACCELERATING ADMIXTURE, SUCH AS CALCIUM CHLORIDE, MAY BE USED ONLY WITH PRIOR APPROVAL OF THE AGENCY'S ENGINEER.

Revision	By	Approved	Date
ORIGINAL	HH	T. STANTON	11/02
REVIEWED	CV	CV	12/15
Reviewed	KE	T. Stanton	12/18
Reviewed	RP	S. Engeda	03/22

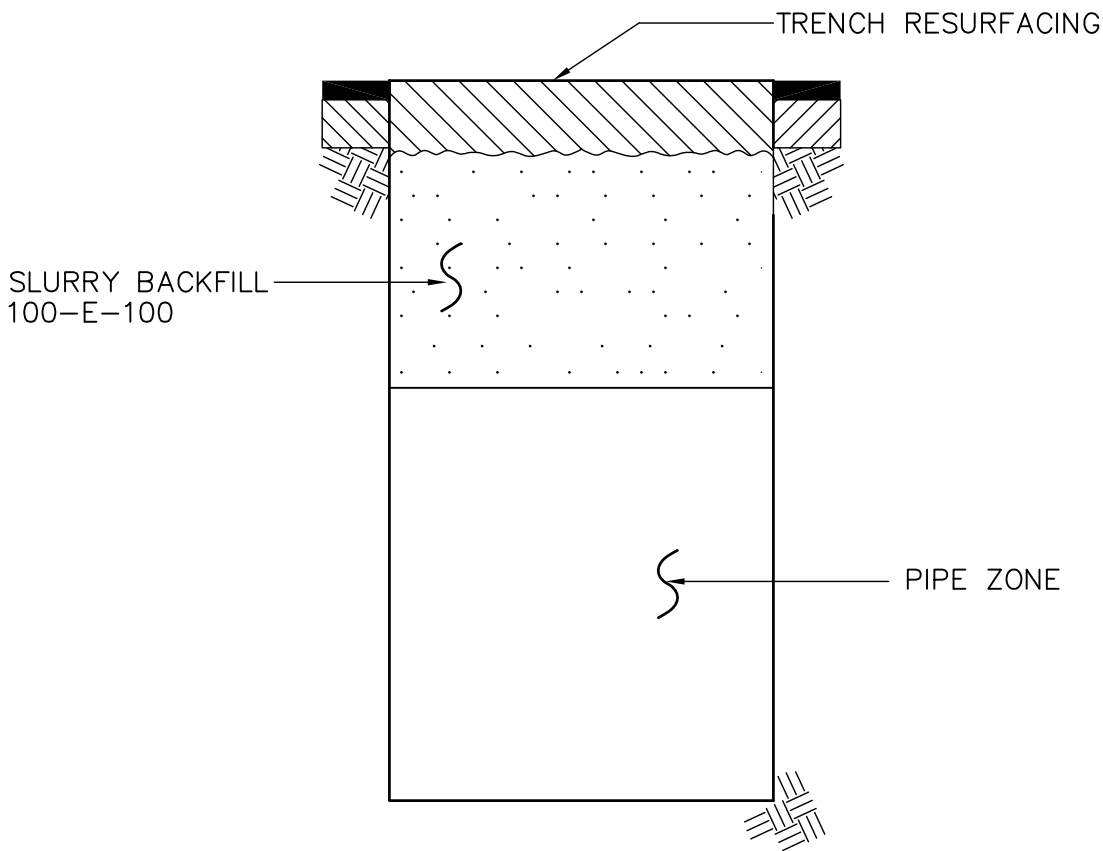
SAN DIEGO REGIONAL STANDARD DRAWING

**NARROW TRENCHES
TRENCHING & BACKFILLING**

RECOMMENDED BY THE SAN DIEGO
REGIONAL STANDARDS COMMITTEE

Samantha Engeda 03/24/2022
Chairperson R.C.E. 52241 Date

DRAWING
NUMBER **G-33**



NOTES

1. TRENCH RESURFACING SHALL BE DONE ACCORDING TO AGENCY'S REQUIREMENTS.
2. THE SAND USED FOR THE SLURRY BACKFILL SHALL MEET THE REQUIREMENTS (SUBSECTION 400-3.2) LISTED IN THE STANDARD SPECIFICATIONS FOR PUBLIC WORKS CONSTRUCTION. SLURRY SHALL CURE FOR SEVEN DAYS PRIOR TO TRENCH RESURFACING.
3. SLURRY BACKFILL SHALL NOT BE USED WHERE IT WILL IMPEDE SUBSURFACE DRAINAGE.

Revision	By	Approved	Date
ORIGINAL		PARKINSON	09/88
UPDATED	CV	CV	12/15
Reviewed	KE	T. Stanton	11/18
Reviewed	RP	S. Engeda	03/22

SAN DIEGO REGIONAL STANDARD DRAWING

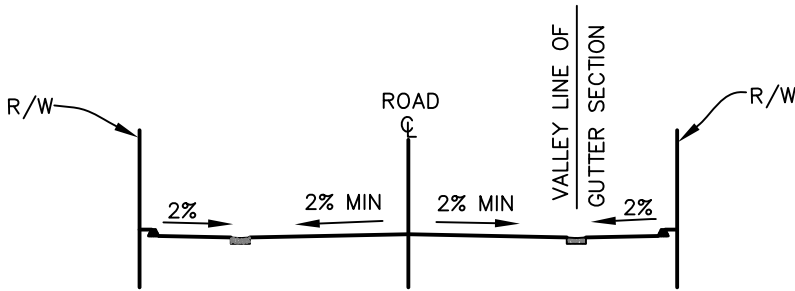
SLURRY BACKFILL

RECOMMENDED BY THE SAN DIEGO REGIONAL STANDARDS COMMITTEE

Samantha Engeda 03/24/2022

Chairperson R.C.E. 52241 Date

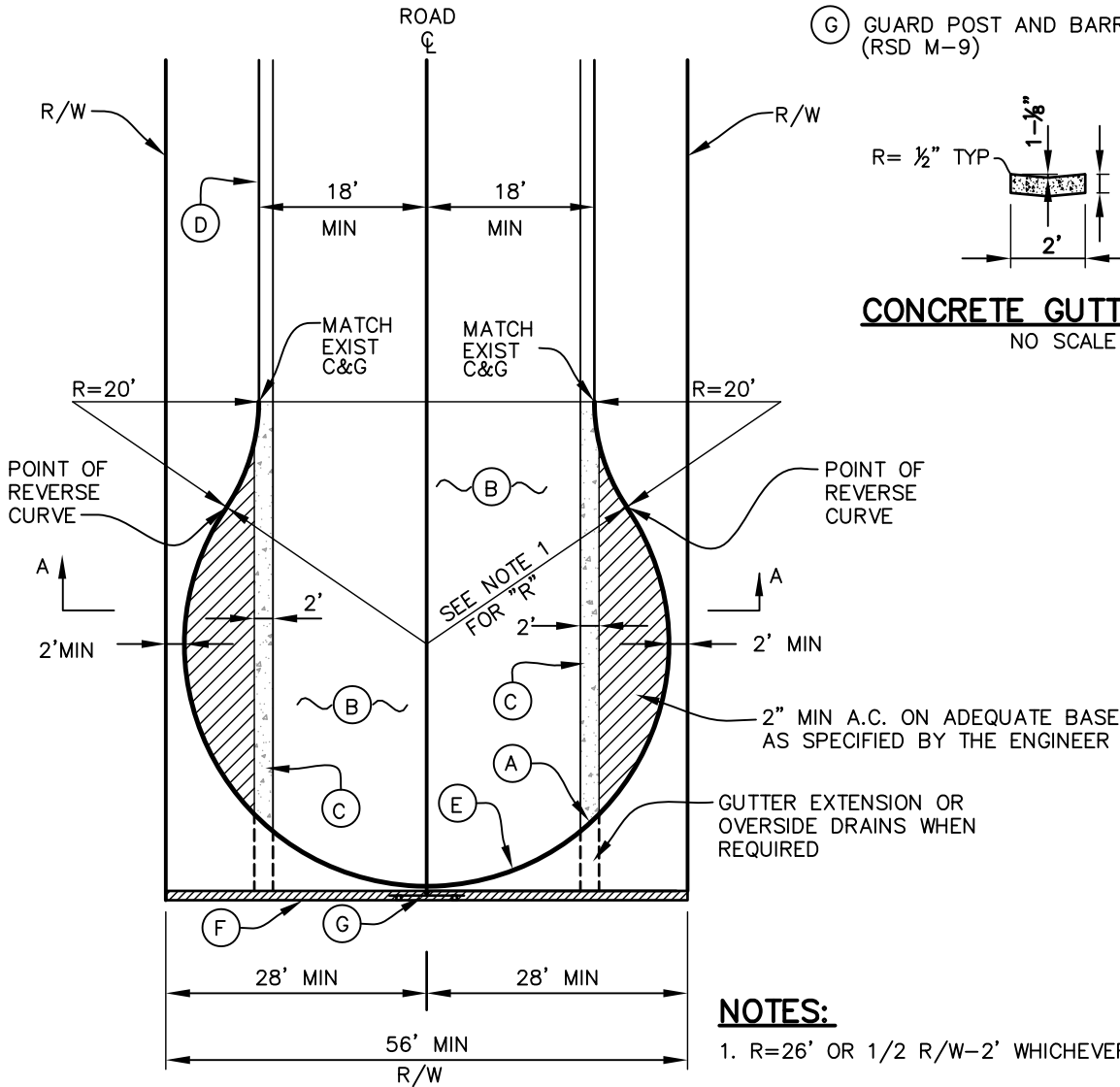
DRAWING NUMBER **G-36**



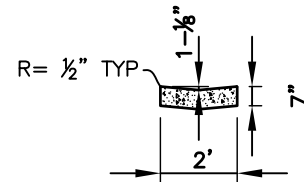
SECTION A-A
NO SCALE

LEGEND

- (A) PROVIDE DIKE OPENING FOR DRAINAGE WHEN REQUIRED.
- (B) PERMANENT STREET SURFACING.
- (C) CONCRETE GUTTER (SEE DETAIL).
- (D) TYPE G C&G (RSD G-2).
- (E) TYPE B DIKE (RSD G-5).
- (F) END OF TEMPORARY IMPROVEMENTS.
- (G) GUARD POST AND BARRICADE (RSD M-9)



TEMPORARY TURNAROUND
NO SCALE



CONCRETE GUTTER DETAIL
NO SCALE

NOTES:

1. R=26' OR 1/2 R/W-2' WHICHEVER IS GREATER.

Revision	By	Approved	Date
NEW	MR	MR/CV	09/11
REVIEWED	CV	CV	12/15
Reviewed	KE	T. Stanton	12/18
Reviewed	RP	S. Engeda	03/22

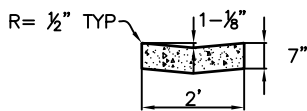
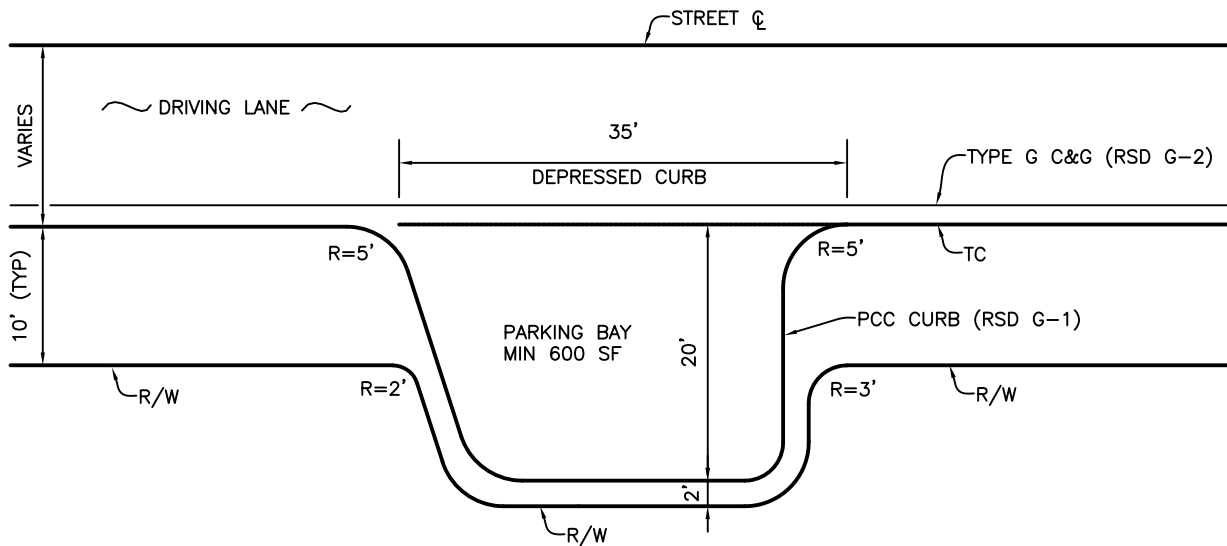
SAN DIEGO REGIONAL STANDARD DRAWING

**TEMPORARY TURNAROUND
AT DEAD END STREET**

RECOMMENDED BY THE SAN DIEGO REGIONAL STANDARDS COMMITTEE

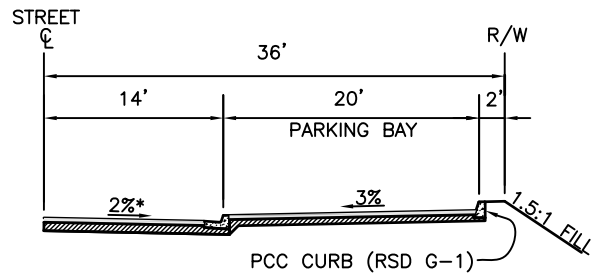
Samantha Engeda 03/24/2022
Chairperson R.C.E. 52241 Date

DRAWING NUMBER **G-37**



CONCRETE GUTTER DETAIL
NO SCALE

PLAN
NO SCALE



TYPICAL PARKING BAY SECTION
NO SCALE

* MAX 3% CROSSFALL/SUPERELEVATION

NOTES:

1. CURB AND GUTTER (C&G) SHALL CONFORM TO SAN DIEGO AREA REGIONAL STANDARD DRAWINGS (RSD)
2. CONCRETE GUTTER SHALL BE POURED NON-CONTIGUOUS TO PROVIDE EXPANSION JOINTS.

Revision	By	Approved	Date	SAN DIEGO REGIONAL STANDARD DRAWING	RECOMMENDED BY THE SAN DIEGO REGIONAL STANDARDS COMMITTEE	
NEW	AT	MR/CV	09/11		PARKING BAY	<i>Samsir Engeda</i> 03/24/2022
REVIEWED	CV	CV	12/15	Chairperson R.C.E. 52241 Date		
Reviewed	KE	T. Stanton	12/18	DRAWING NUMBER		G-38
Reviewed	RP	S. Engeda	03/22			